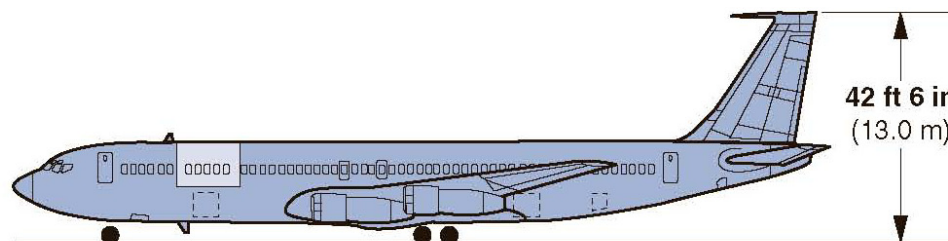
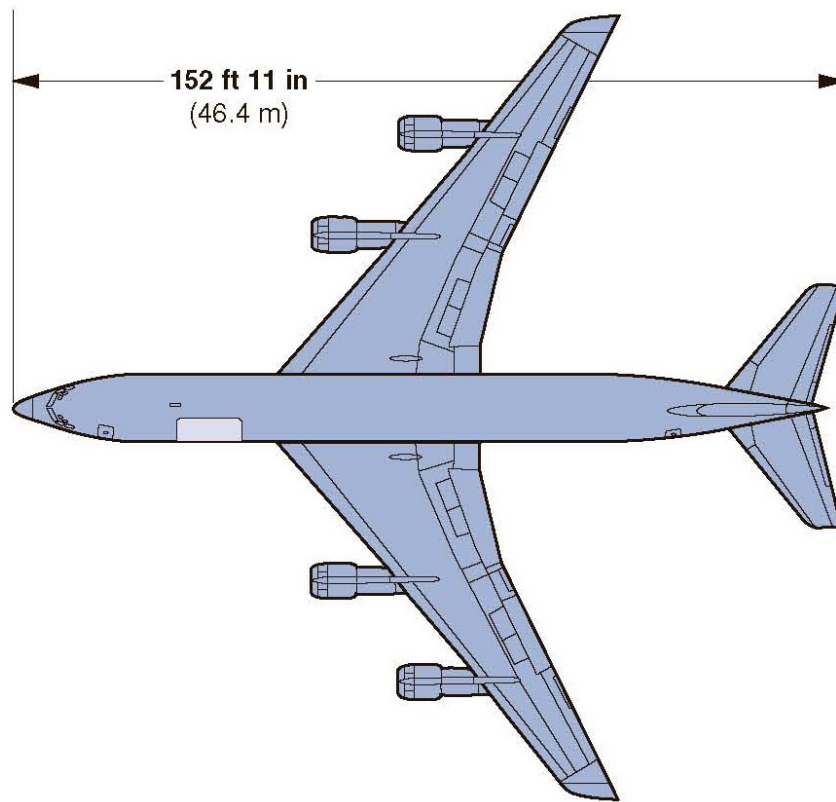
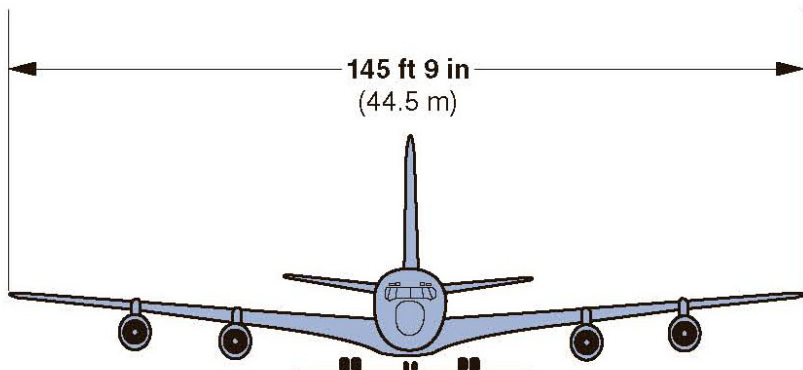


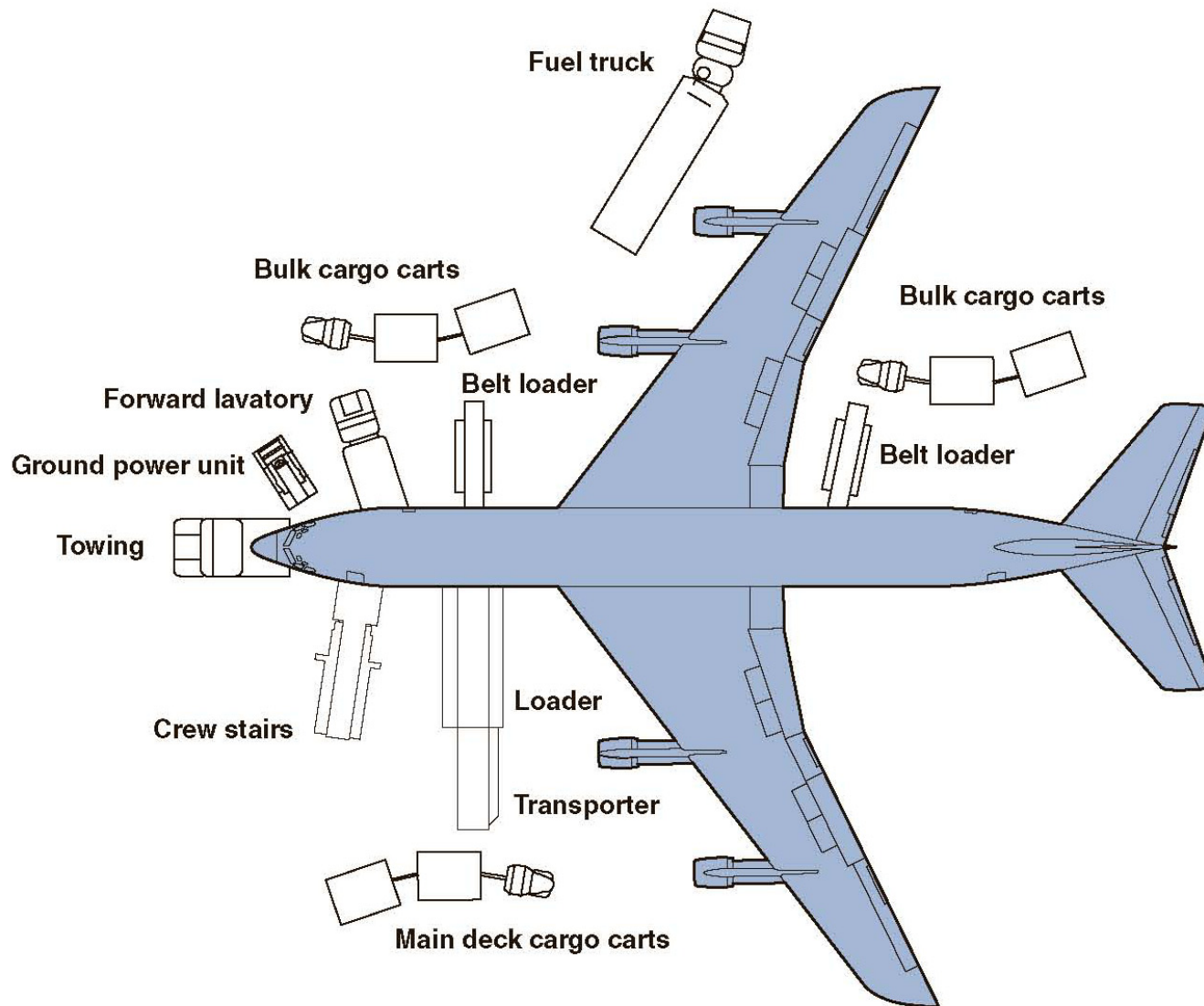
707-320C Freighter General Arrangement

StartupBoeing



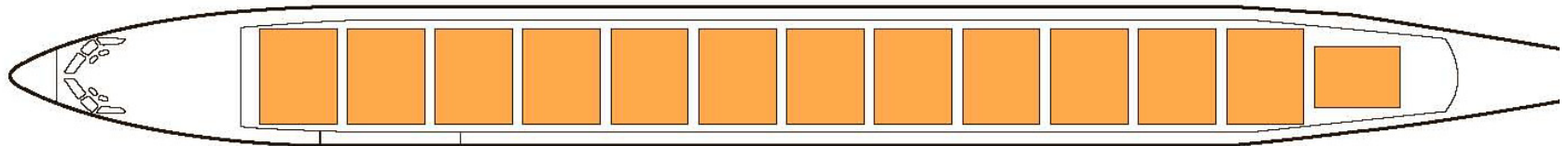
707-320C Freighter Servicing Arrangement

StartupBoeing



707-320C Freighter Main Deck Arrangement

StartupBoeing

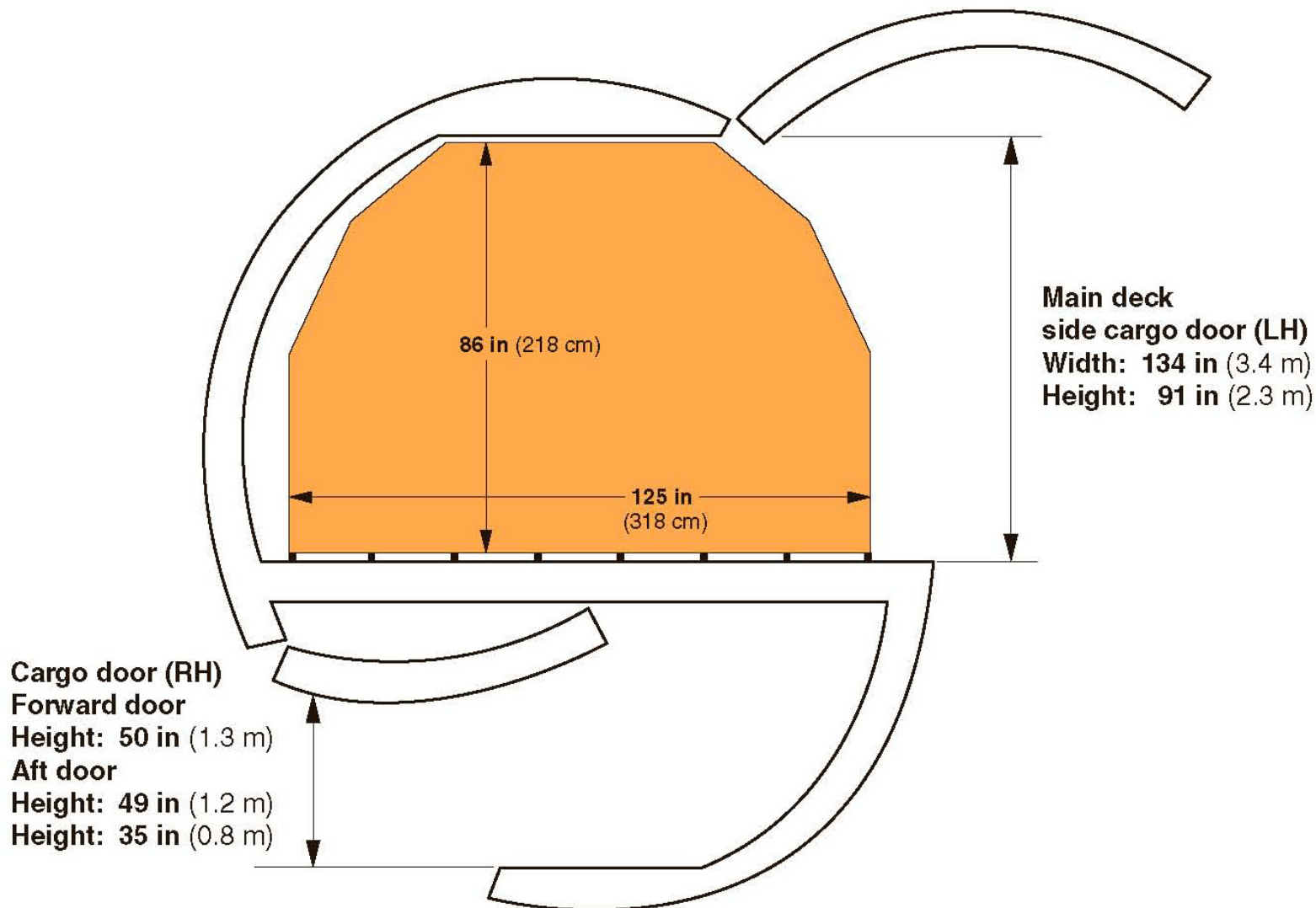


13 containers, 88 x 125 in (2.2 x 3.2 m)

Volume, 5,720 ft³ (161.9 m³); bulk volume, 1,785 ft³ (50.5 m³)

707-320C Freighter Cross Section

StartupBoeing



707-320C Freighter Performance Summary

StartupBoeing

Pratt & Whitney JT3D-7 engines

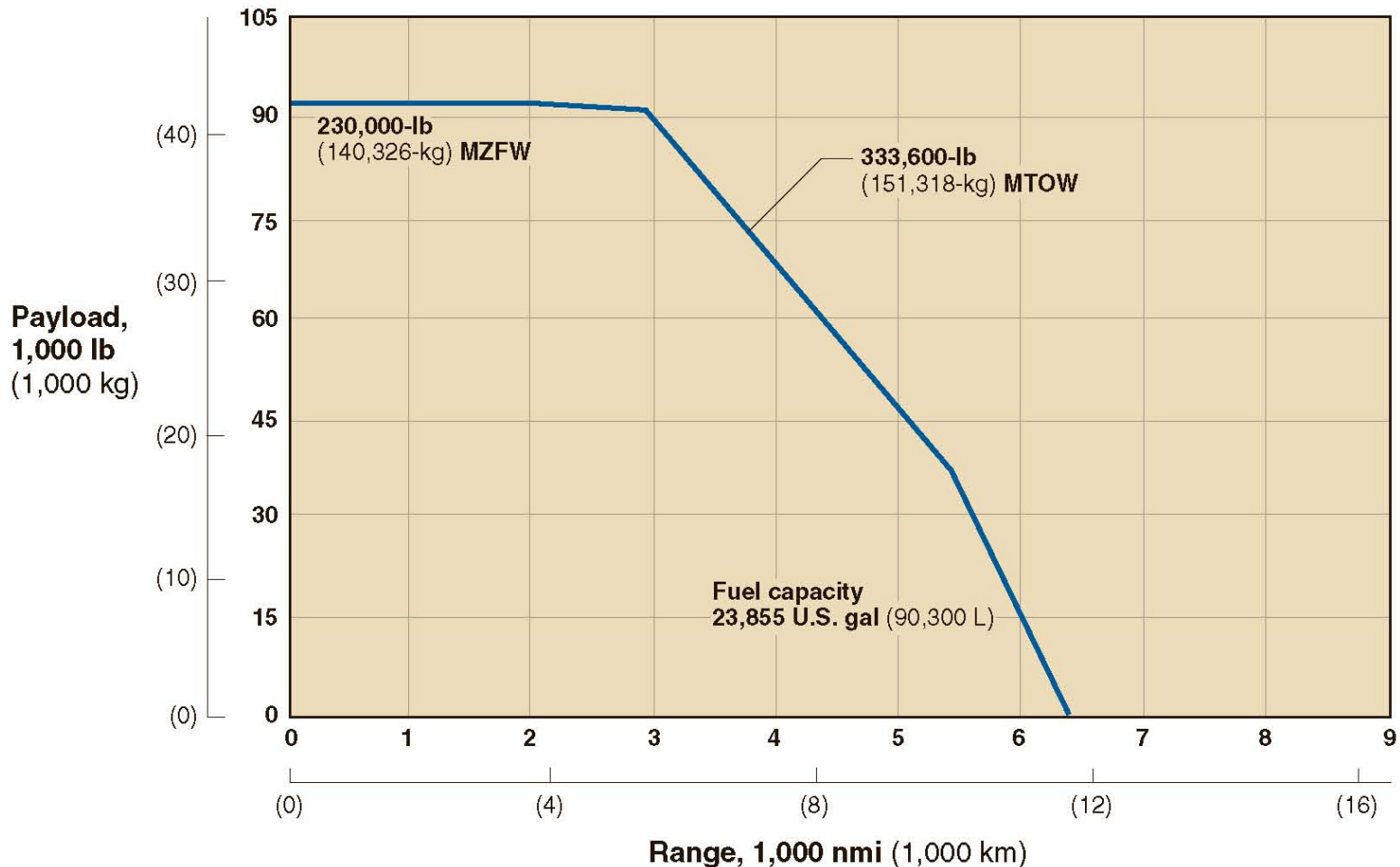
	707-320C	
Cargo capacity, ft³ (m³)		
Main deck, (13) 88- x 125-in (2.2- x 3.2-m) pallets	5,720	(162.0)
Lower hold bulk volume	1,785	(50.5)
Total cargo volume	7,505	(212.5)
Maximum gross weight, lb (kg)		
Takeoff	333,600	(151,318)
Landing	247,000	(112,037)
Zero fuel	230,000	(104,326)
Structural limit payload (MZFW – OEW)	92,300	(41,867)
Operating empty weight including tare*	140,700	(63,820)
Fuel capacity, U.S. gal (L)	23,855	(90,300)
Design range (MZFW payload), nmi (km)	2,948	(4,744)
Chapter 3 cumulative margin, EPNdB	+32.1	
With hushkit		

* Tare weight 13 pallets: 3,000 lb (1,360 kg)

707-320C Freighter Payload-Range Capability

StartupBoeing

Pratt & Whitney JT8D-15 engines



Payload-Range Capability

StartupBoeing

