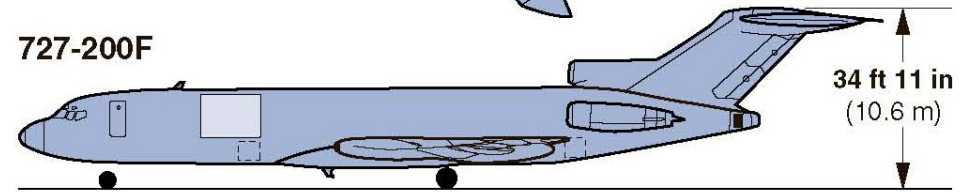
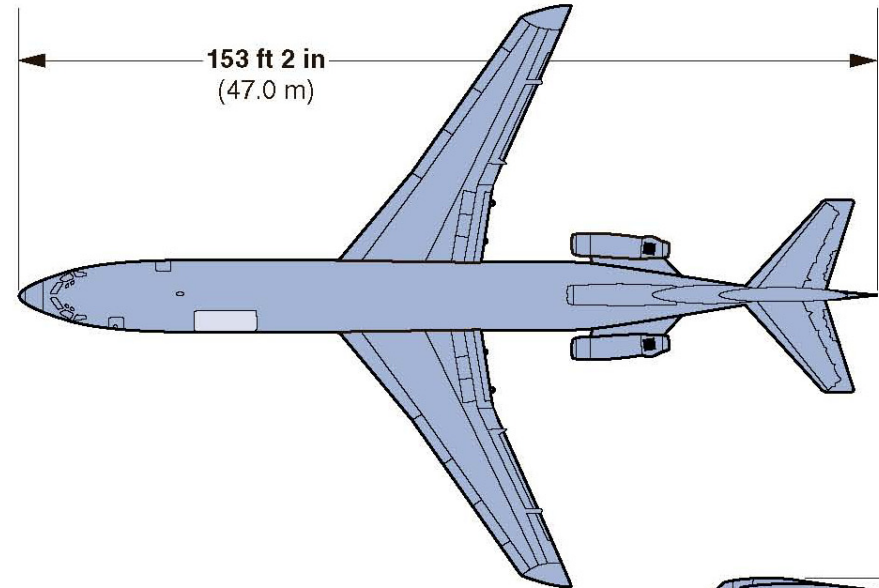
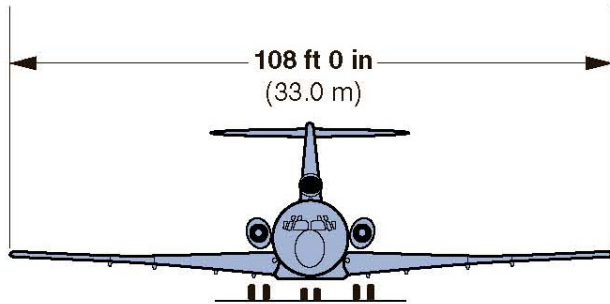


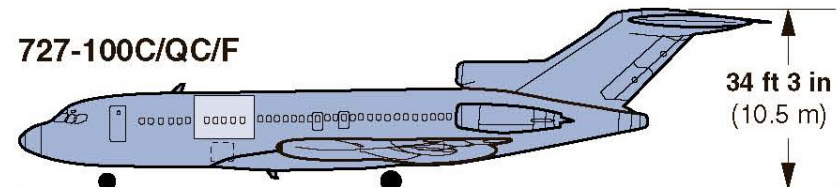
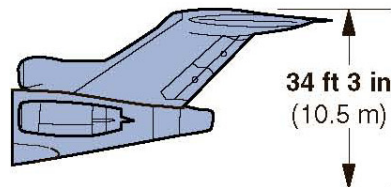
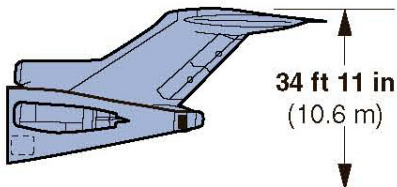
# 727-100/-200 Freighter General Arrangement

StartupBoeing



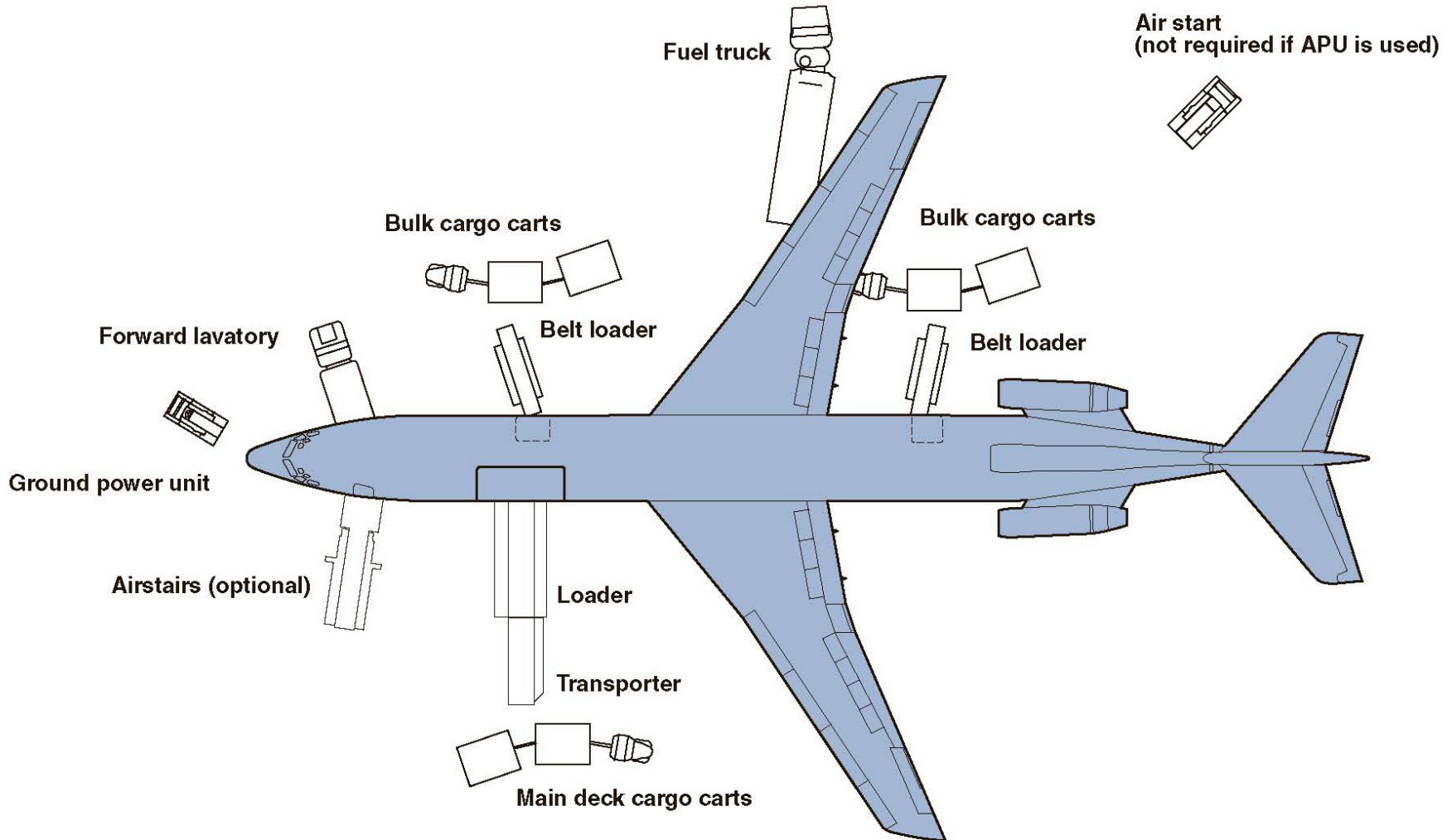
727-200F Valson

727-100QF Tay



# 727-200 Freighter Servicing Arrangement

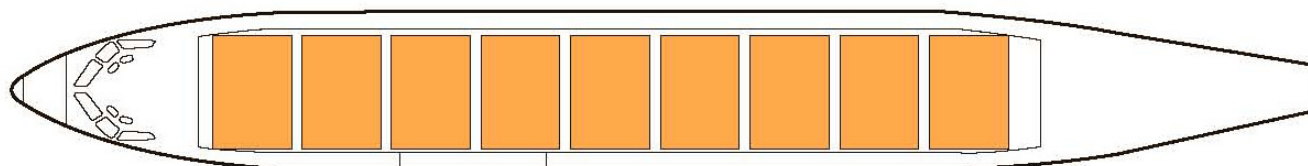
StartupBoeing



# 727 Freighter Main Deck Arrangement

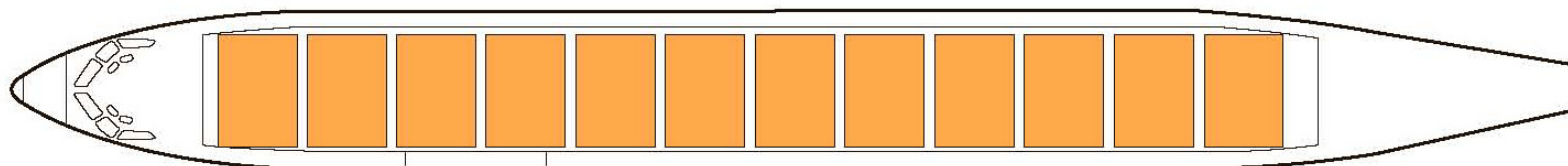
StartupBoeing

## 727-100C/QC/F



**9 containers, 88 x 125 in (2.2 x 3.2 m)**  
**Volume, 3,960 ft<sup>3</sup> (112.1 m<sup>3</sup>); bulk volume, 890 ft<sup>3</sup> (25.2 m<sup>3</sup>)**

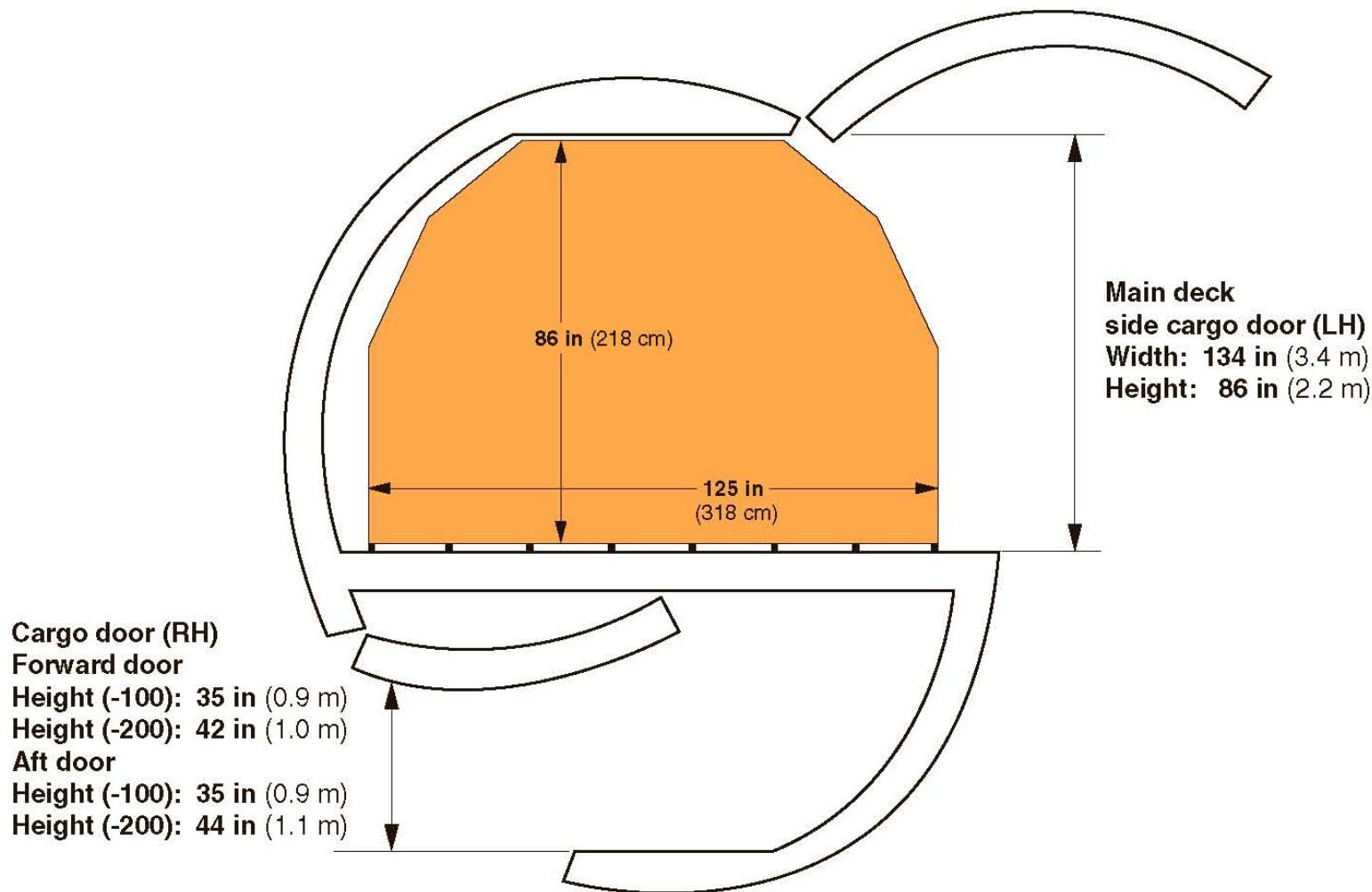
## 727-200F



**12 containers, 88 x 125 in (2.2 x 3.2 m)**  
**Volume, 5,280 ft<sup>3</sup> (149.5 m<sup>3</sup>); bulk volume, 1,525 ft<sup>3</sup> (43.2 m<sup>3</sup>)**

# 727-100/-200 Freighter Cross Section

StartupBoeing



# 727 Freighter Performance Summary

StartupBoeing

Pratt & Whitney JT8D-7 engines\*  
Pratt & Whitney JT8D-17A engines

	727-100C/QC/F		727-200F	
<b>Cargo capacity, ft<sup>3</sup> (m<sup>3</sup>)</b>				
<b>Main deck (9*/12) 88- x 125-in (2.2- x 3.2-m) pallets</b>	<b>3,960</b>	(112.1)	<b>5,280</b>	(149.5)
<b>Lower hold bulk volume</b>	<b>890</b>	(25.2)	<b>1,525</b>	(43.2)
<b>Total cargo volume</b>	<b>4,850</b>	(137.3)	<b>6,805</b>	(192.7)
<b>Maximum gross weight, lb (kg)</b>				
<b>Takeoff</b>	<b>169,400</b>	(76,839)	<b>203,100</b>	(92,126)
<b>Landing</b>	<b>142,500</b>	(64,638)	<b>166,000</b>	(75,297)
<b>Zero fuel</b>	<b>132,000</b>	(59,875)	<b>155,000</b>	(70,308)
<b>Structural limit payload (MZFW – OEW)</b>	<b>43,600</b>	(19,777)	<b>65,015</b>	(29,491)
<b>Operating empty weight including tare**</b>	<b>90,479</b>	(145,612)	<b>92,757</b>	(149,278)
<b>Fuel capacity, U.S. gal (L)</b>	<b>7,680</b>	(29,269)	<b>8,105</b>	(30,677)
<b>Design range (MZFW payload), nmi (km)</b>	<b>1,385</b>	(2,229)	<b>1,597</b>	(2,570)
<b>Chapter 3 cumulative margin, EPNdB</b>	<b>+10.3</b>		<b>-0.2</b>	
<b>With hushkit</b>	<b>-0.5</b>			

• 727-200F (production freighter version)

\* 727-100 models

\*\* Tare weights: 2,079 lb (3,346 kg) for the 727-100, 2,772 lb (4,461 kg) for the 727-200

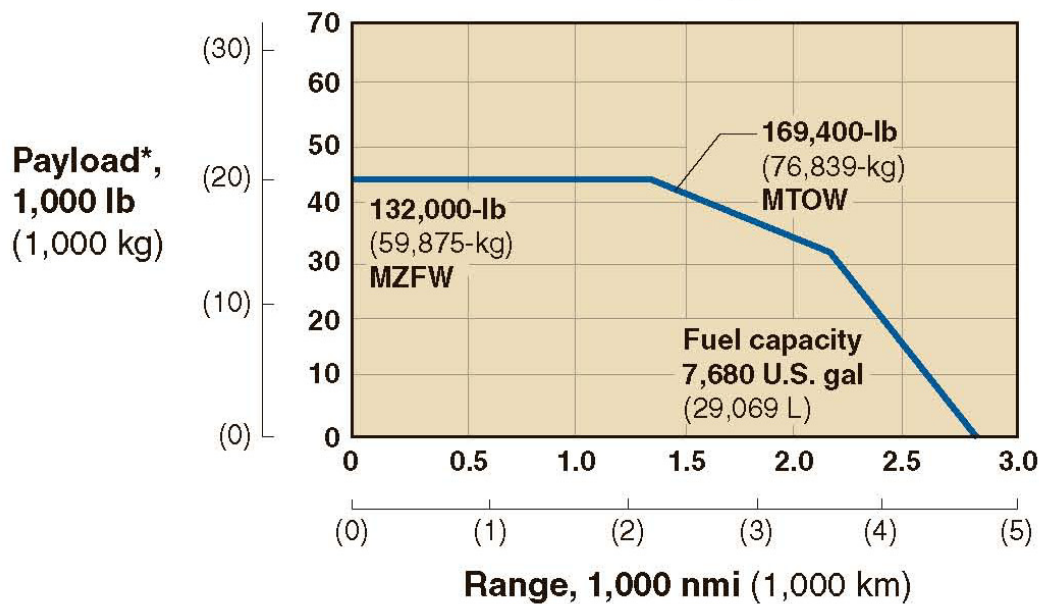
# 727 Freighter Payload-Range Capability

StartupBoeing



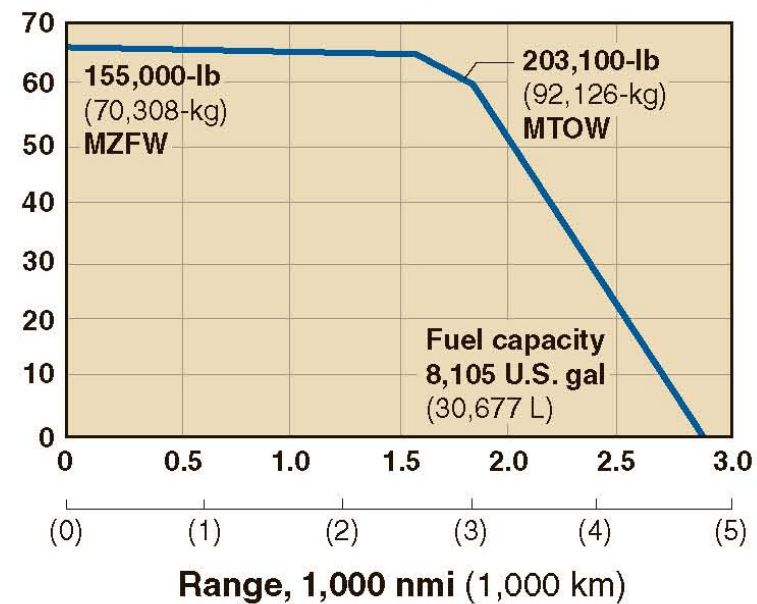
## Pratt & Whitney JT8D-7 engines

### 727-100C



## Pratt & Whitney JT8D-17A engines

### 727-200F



# Payload-Range Capability

StartupBoeing

