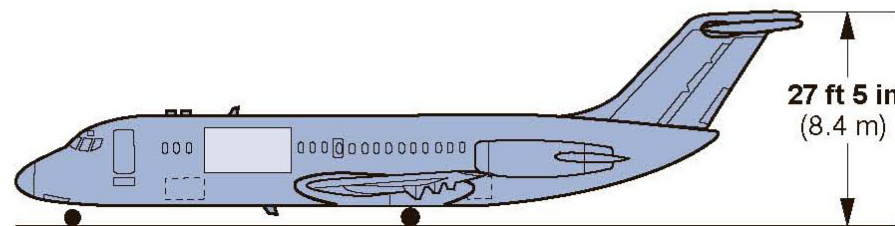
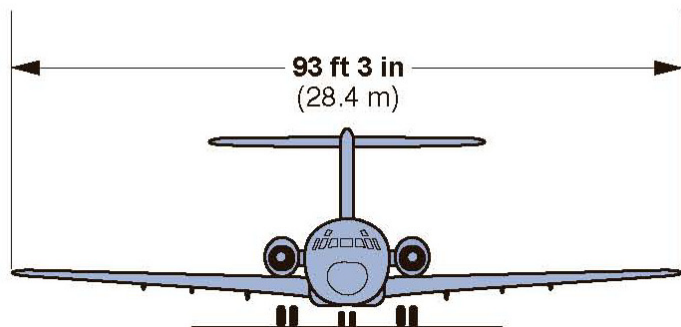
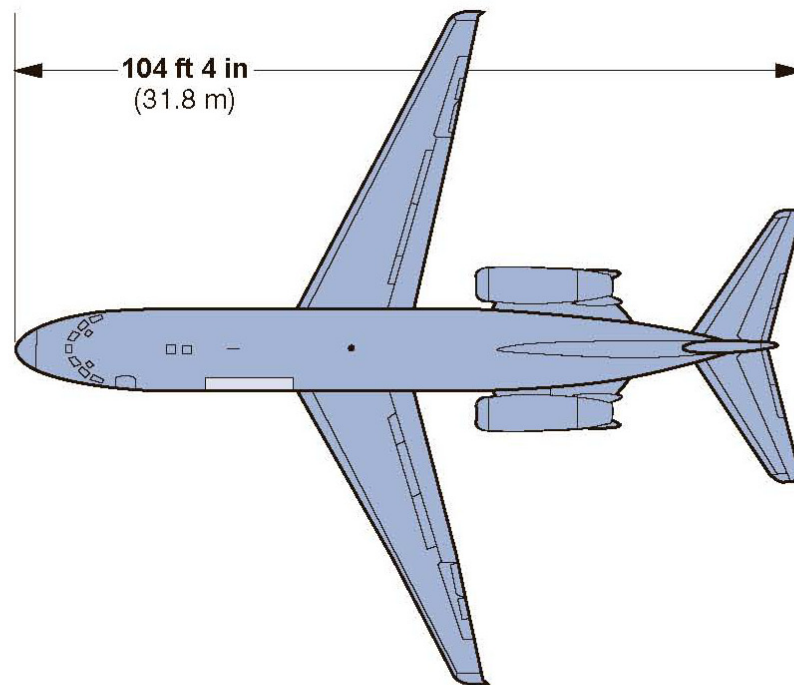


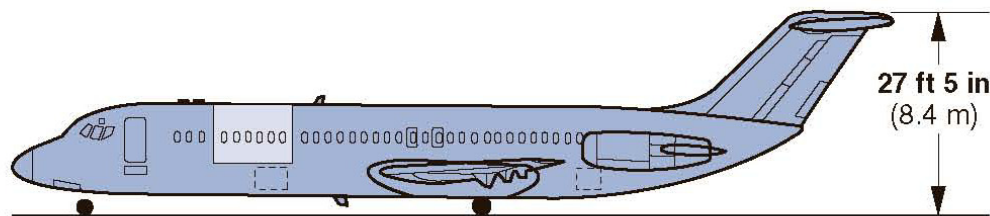
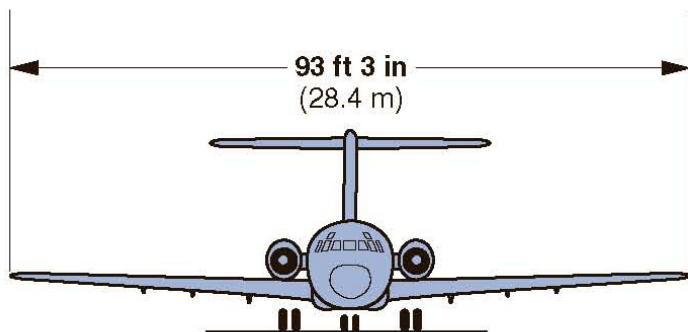
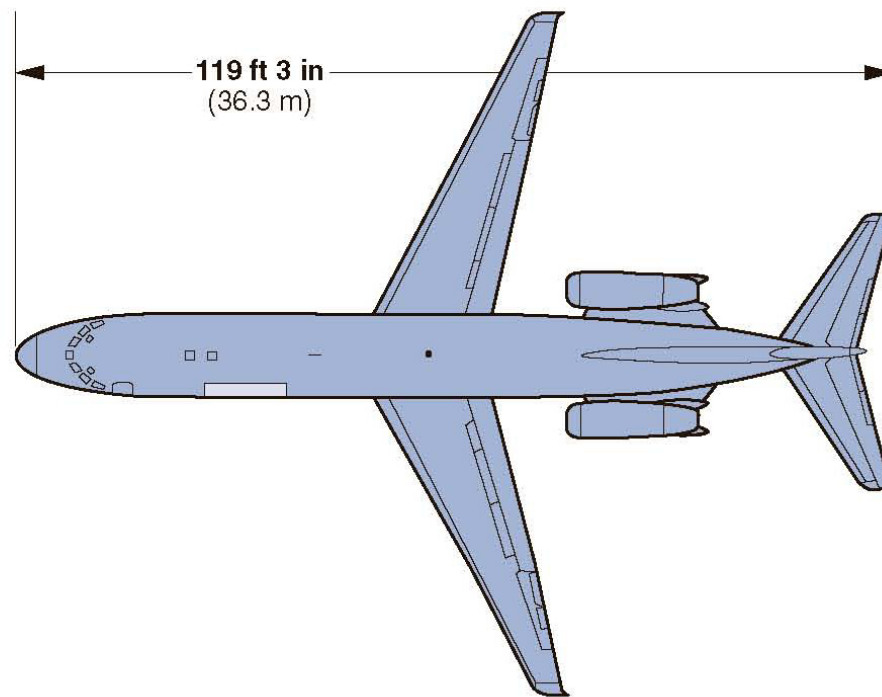
DC-9-10 Freighter General Arrangement

StartupBoeing



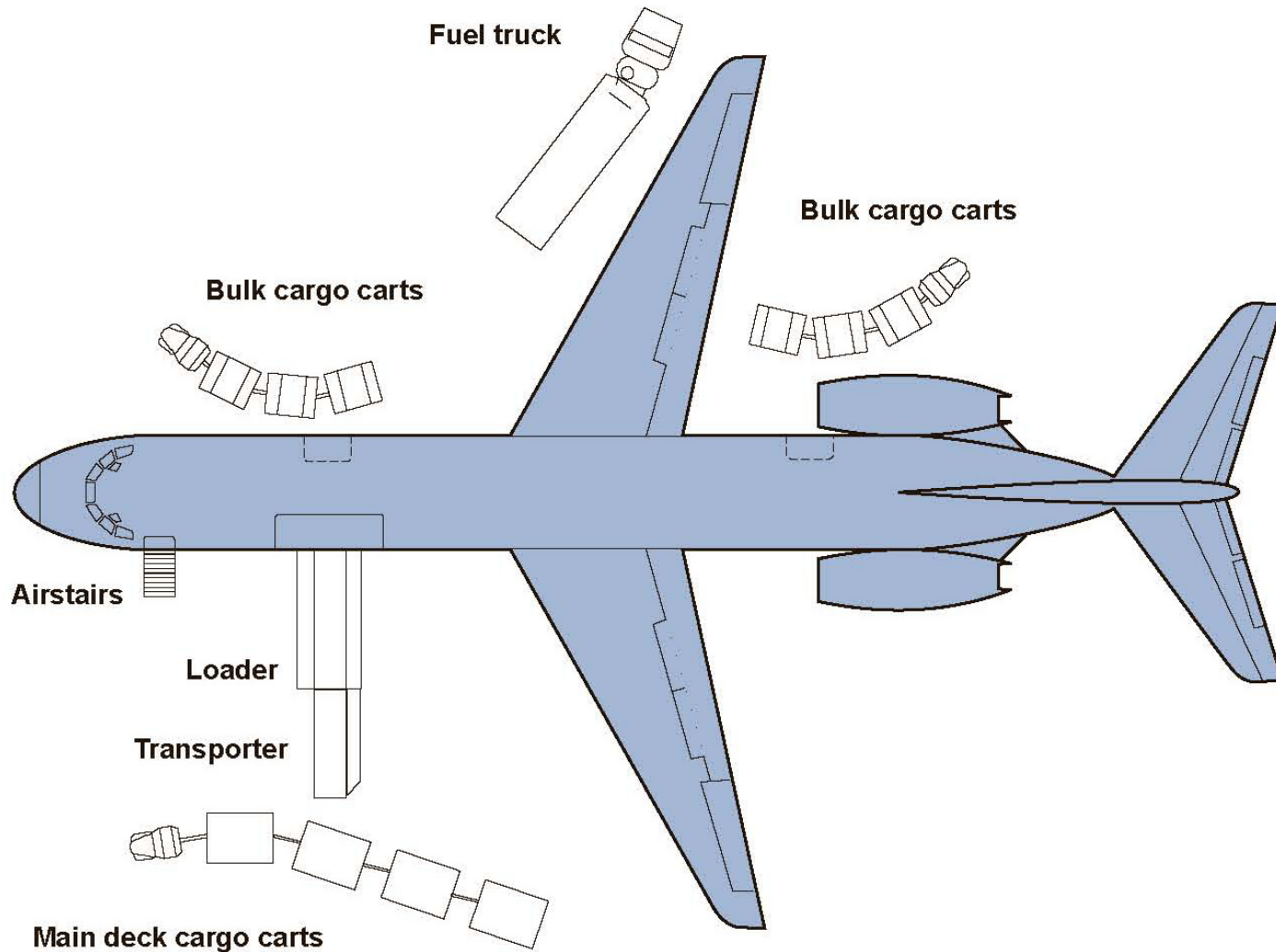
DC-9-30 Freighter General Arrangement

StartupBoeing



DC-9-10F/-30CF Servicing Arrangement

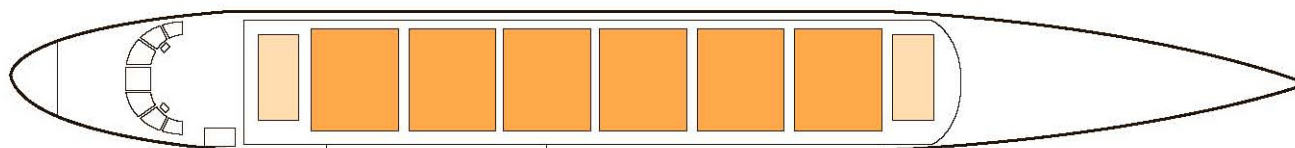
StartupBoeing



DC-9 Freighter Main Deck Arrangement

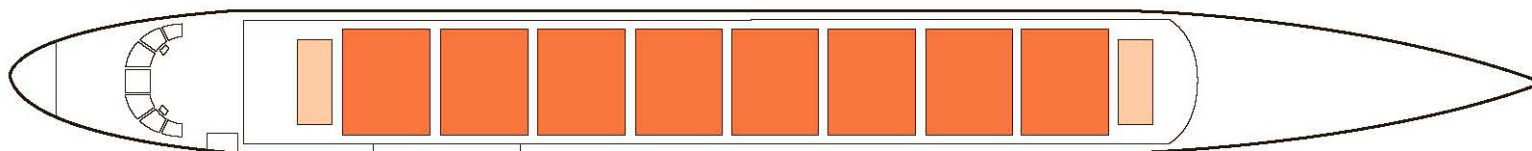
StartupBoeing

DC-9-10 Freighter



6 containers, 88 x 108 in (2.2 x 2.7 m)
2 containers, 54 x 88 in (1.4 x 2.2 m)
Volume, 2,448 ft³ (69.3 m³); bulk volume, 600 ft³ (17.0 m³)

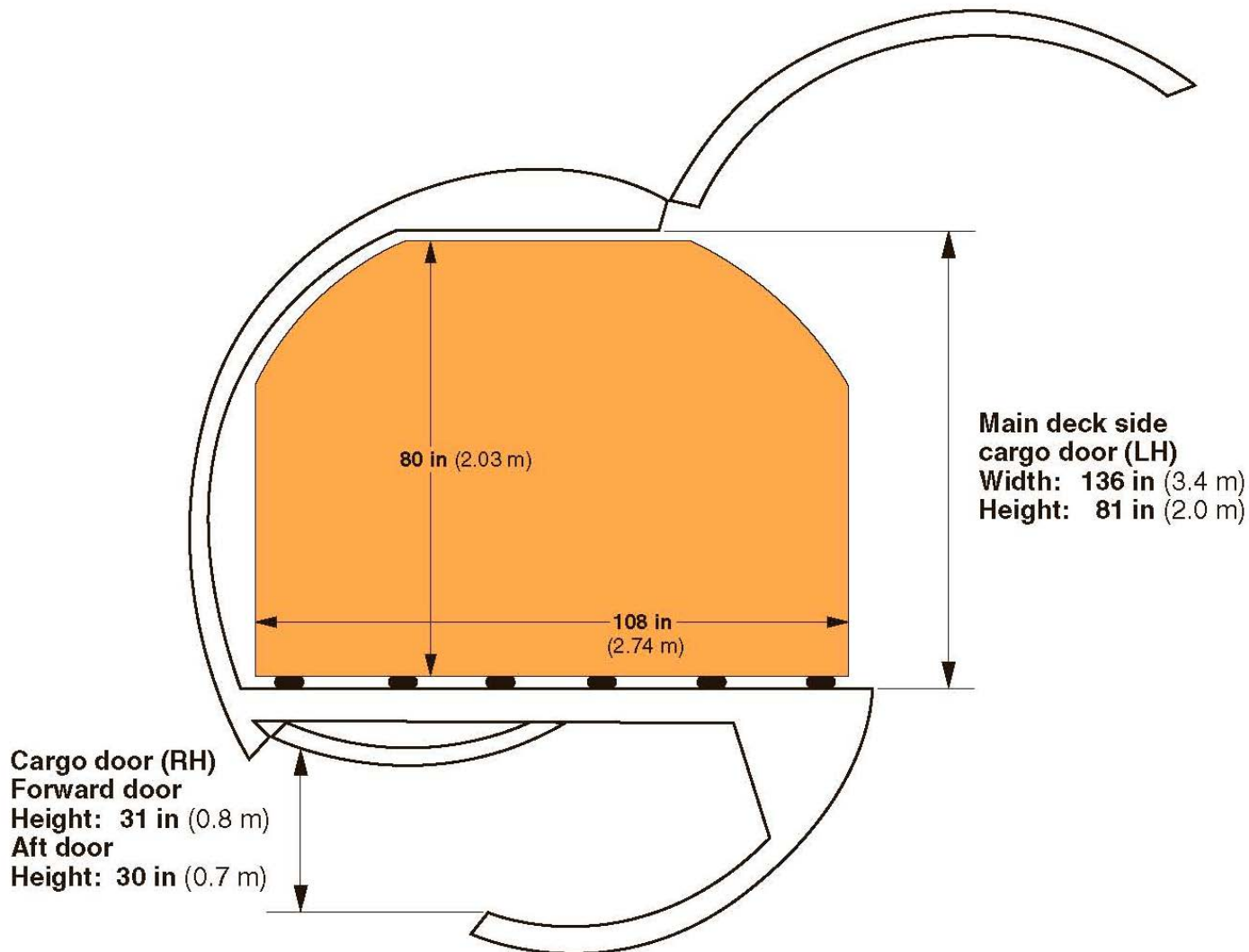
DC-9-30 Freighter



8 pallets, 88 x 108 in (2.2 x 2.7 m)
2 pallets, 54 x 88 in (1.37 x 2.24 m)
Volume, 3,148 ft³ (89.1 m³); bulk volume, 895 ft³ (25.3 m³)

DC-9-10/-30 Freighter Cross Section

StartupBoeing



DC-9-10 Freighter Performance Summary

StartupBoeing

Pratt & Whitney JT8D-7 engines

	DC-9-10F	
Cargo capacity, ft³ (m³)		
Main deck, (6) 88- x 108-in (2.2- x 2.7-m),	2,448	(69.3)
(2) 54- x 88-in (1.4- x 2.2-m) pallets or containers		
Lower hold bulk	600	(17.0)
Total cargo volume	3,048	(86.3)
Maximum gross weight, lb (kg)		
Takeoff	90,700	(41,141)
Landing	81,700	(37,059)
Zero fuel	74,000	(33,566)
Structural limit payload (MZFW – OEW)	22,424	(10,171)
Operating empty weight including tare*	51,576	(23,476)
Fuel capacity, U.S. gal (L)	3,693	(13,979)
Design range (MZFW payload), nmi (km)	1,038	(1,922)

* Tare weight: 1,576 lb (715 kg)

DC-9-30 Freighter Performance Summary

StartupBoeing

Pratt & Whitney JT8D-17 engines

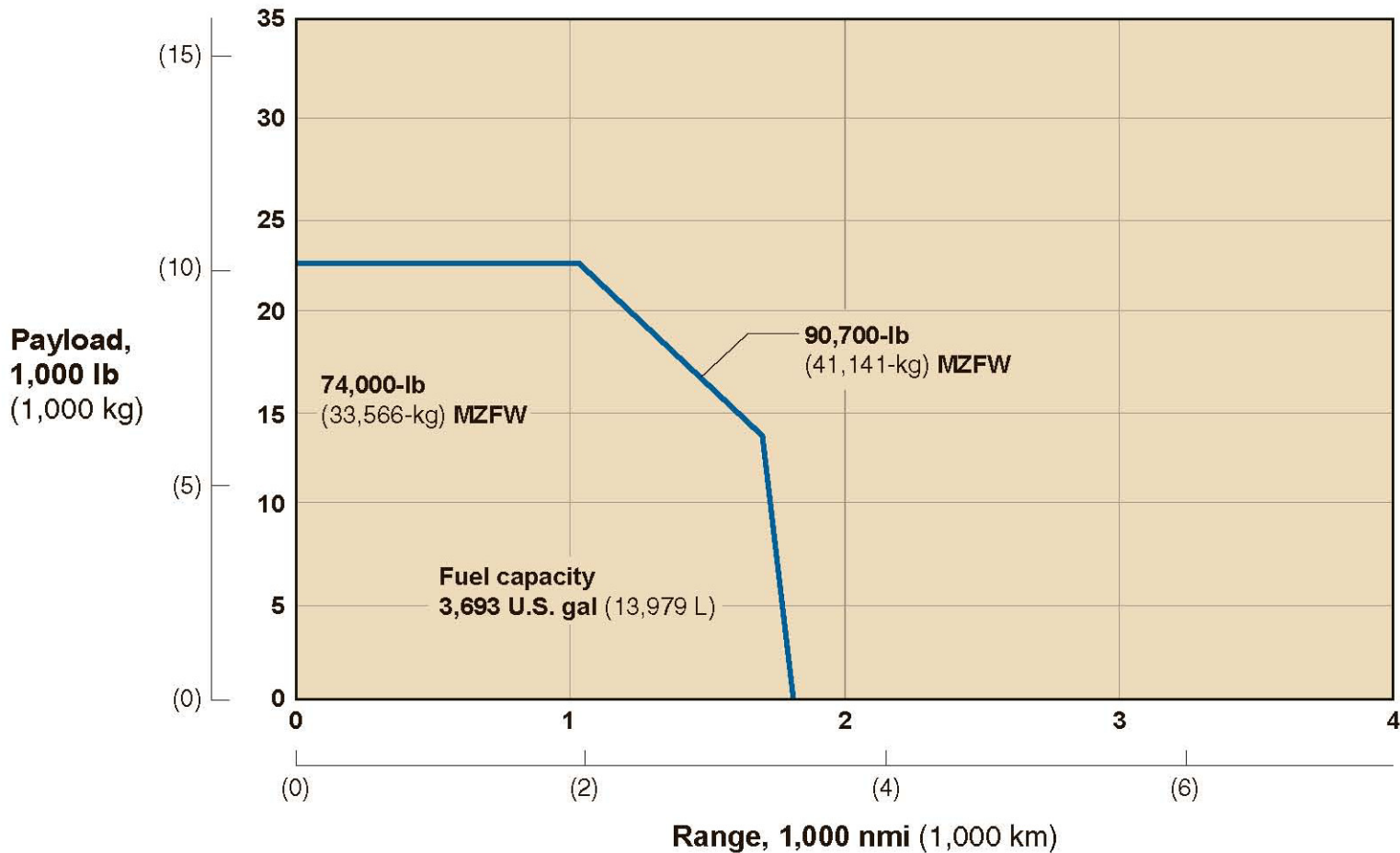
	DC-9-30F	
Cargo capacity, ft³ (m³)		
Main deck, (8) 88- x 108-in (2.2- x 2.7-m),	3,148	(89.1)
(2) 54- x 88-in (1.4- x 2.2-m) pallets or containers		
Lower hold bulk	895	(25.3)
Total cargo volume	4,043	(114.4)
Maximum gross weight, lb (kg)		
Takeoff	121,000	(54,885)
Landing	110,000	(49,896)
Zero fuel	98,500	(44,679)
Structural limit payload (MZFW – OEW),	35,837	(16,255)
Operating empty weight including tare*	62,663	(28,423)
Fuel capacity, U.S. gal (L)	5,040	(19,078)
Design range (MZFW payload), nmi (km)	715	(1,324)

* Tare weight: 2,026 lb (919 kg)

DC-9-10 Freighter Payload-Range Capability

StartupBoeing

Pratt & Whitney JT8D-7 engines



DC-9-30 Freighter Payload-Range Capability

StartupBoeing

Pratt & Whitney JT8D-17 engines

