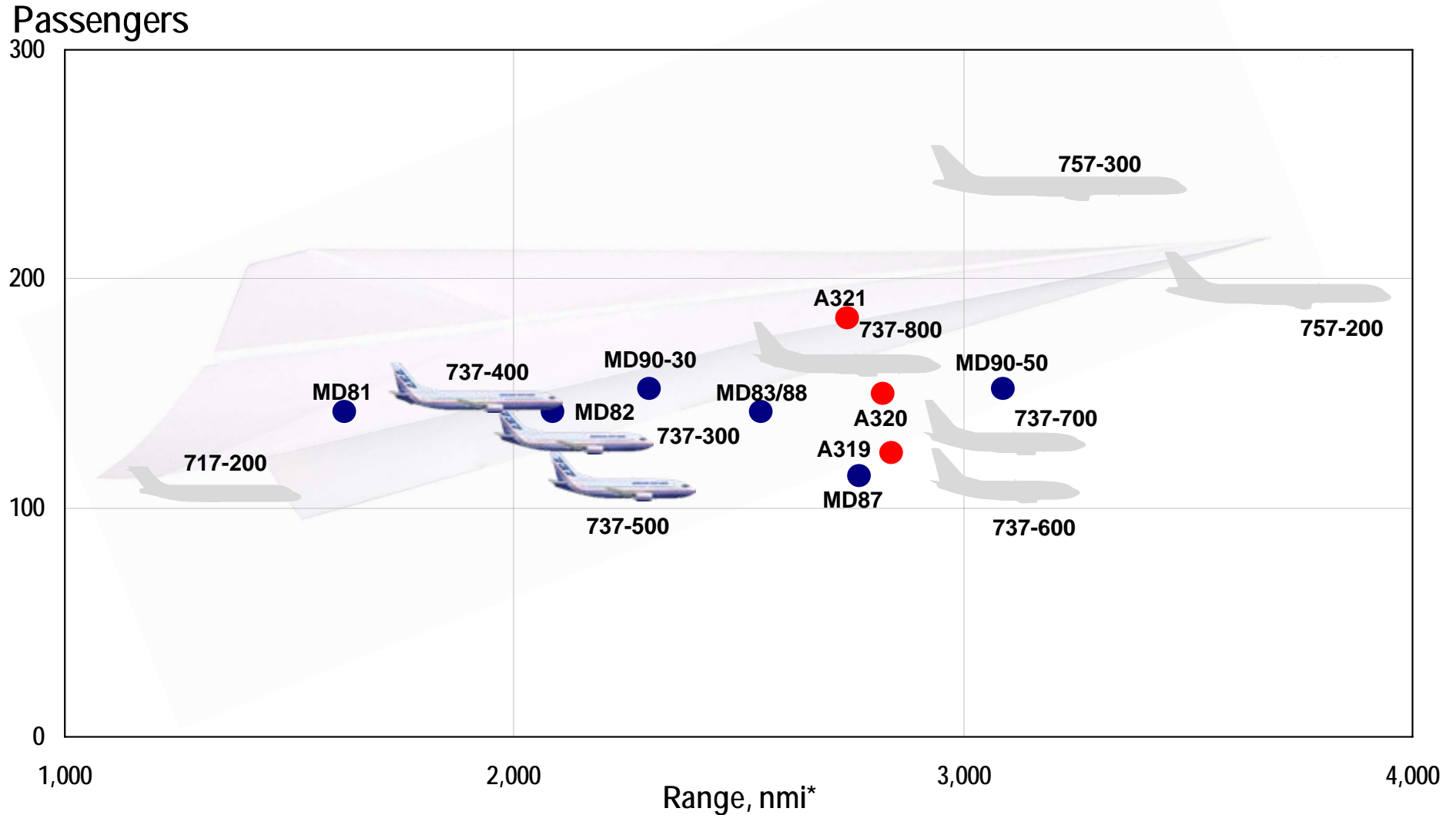


The 737-300/-400/-500 Offers Flexibility to Meet Market Demands

StartupBoeing

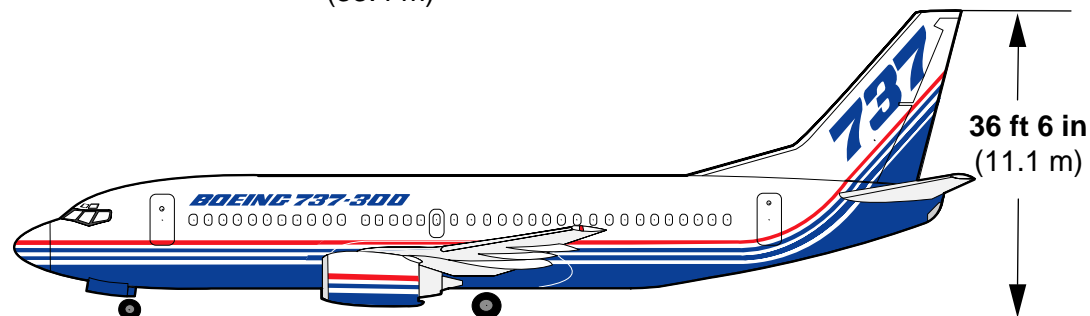
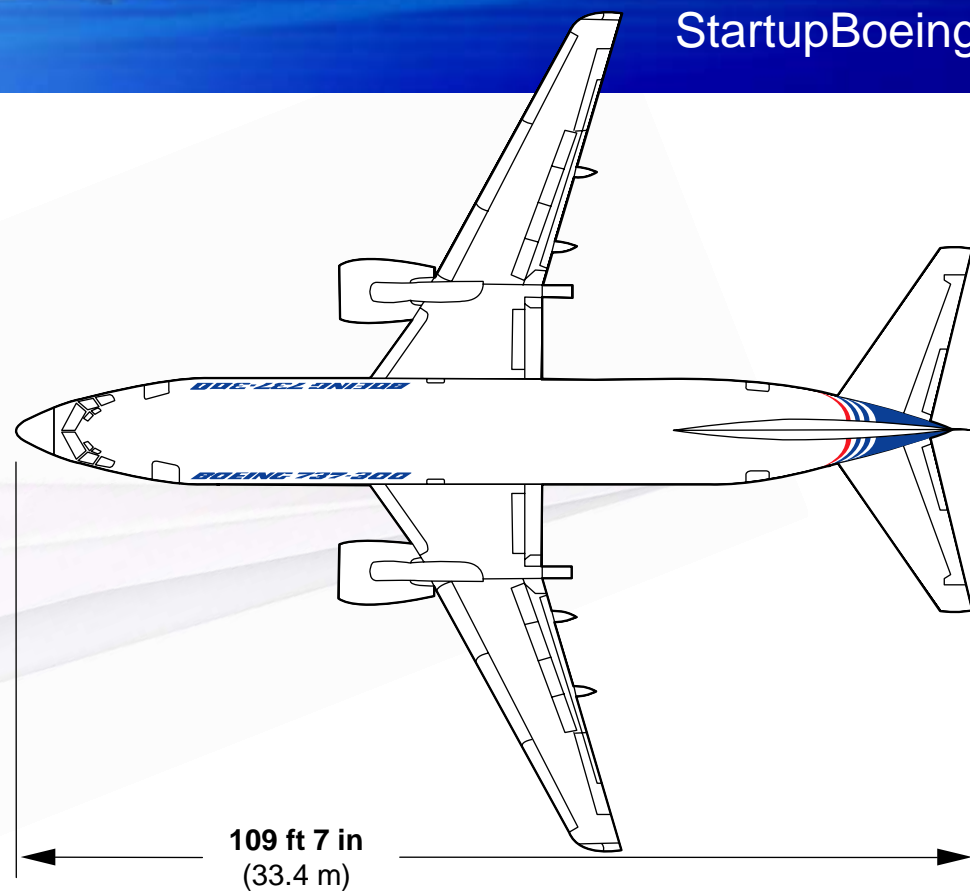
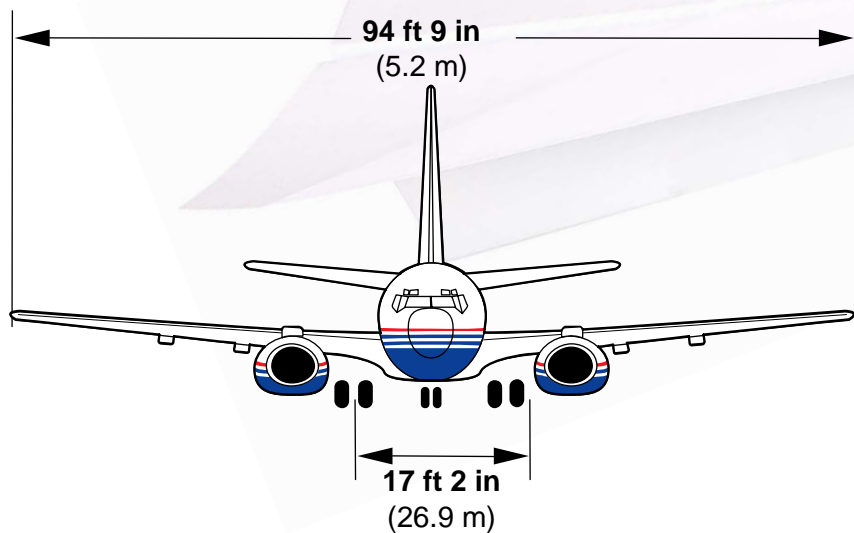


*Maximum range at full passenger payload

General Arrangement

StartupBoeing

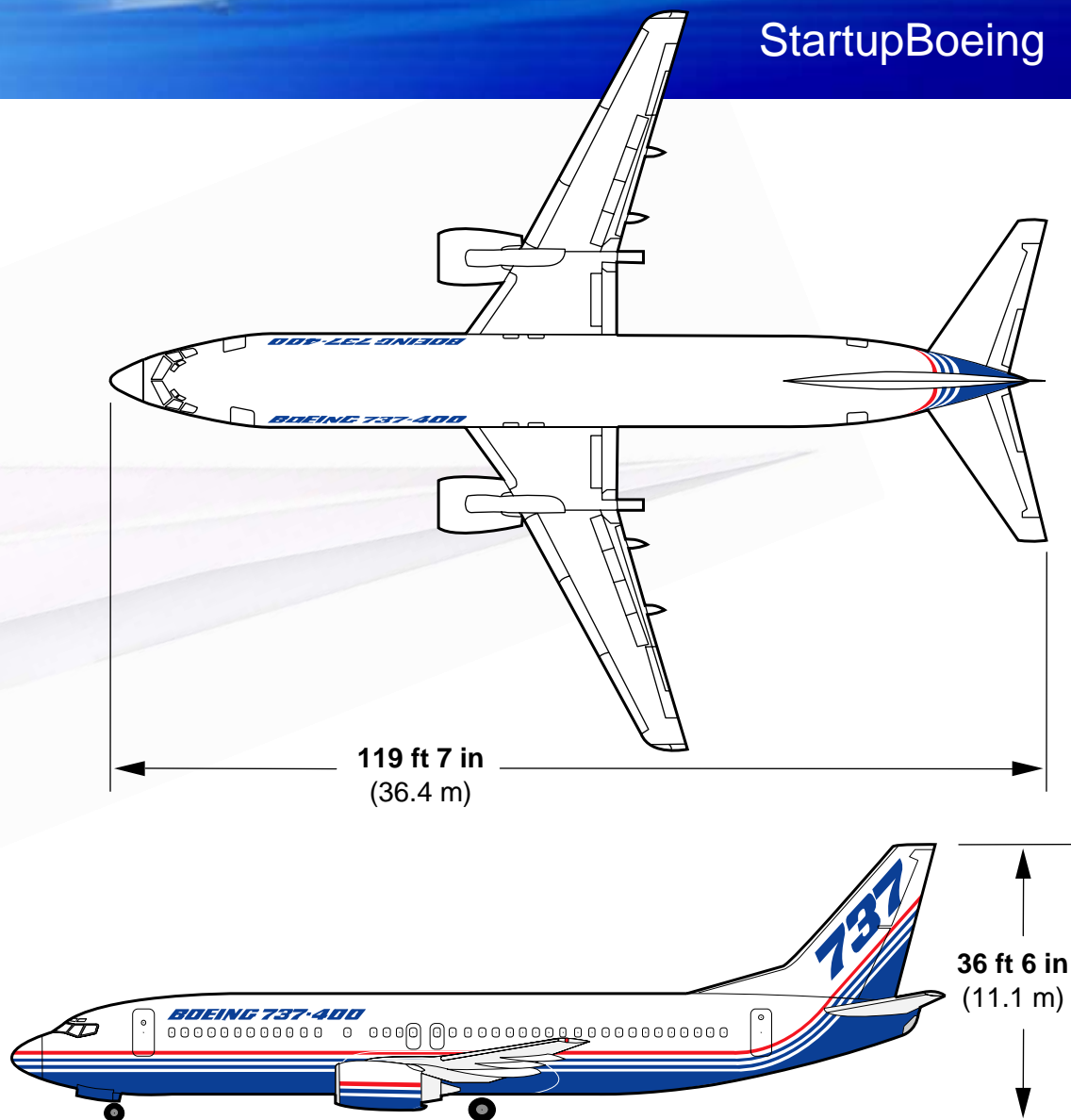
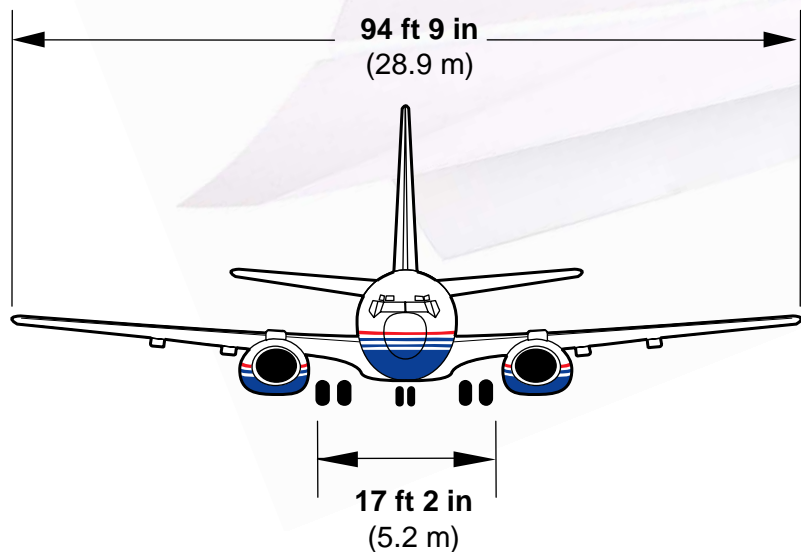
737-300



General Arrangement

StartupBoeing

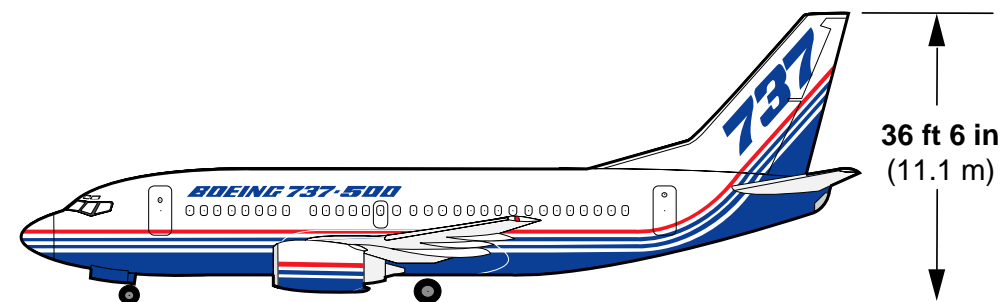
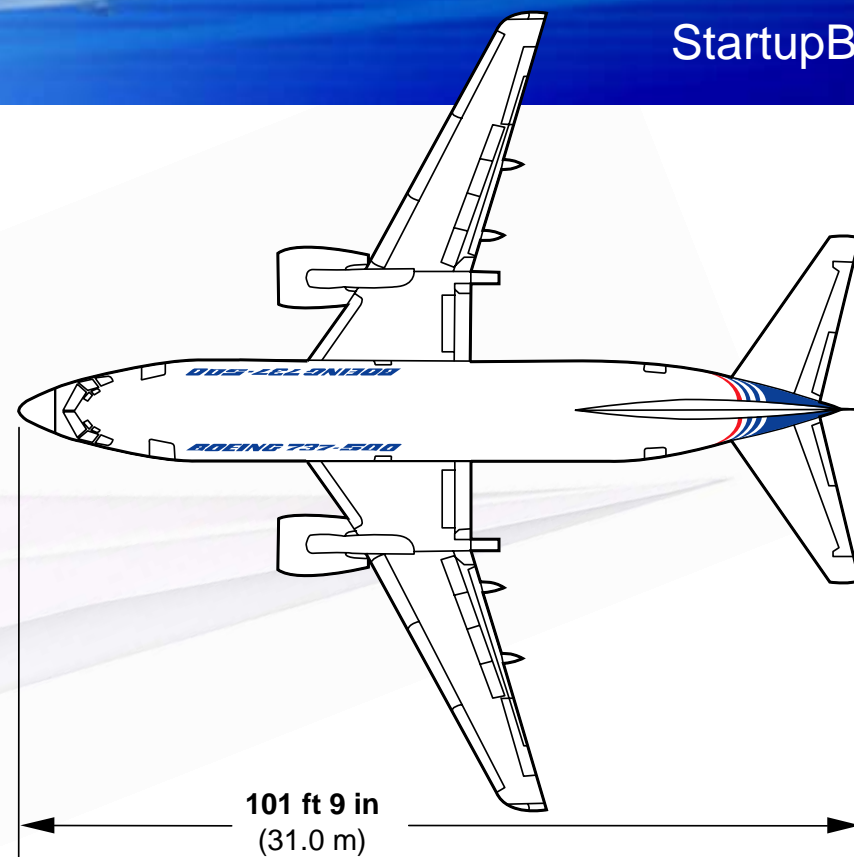
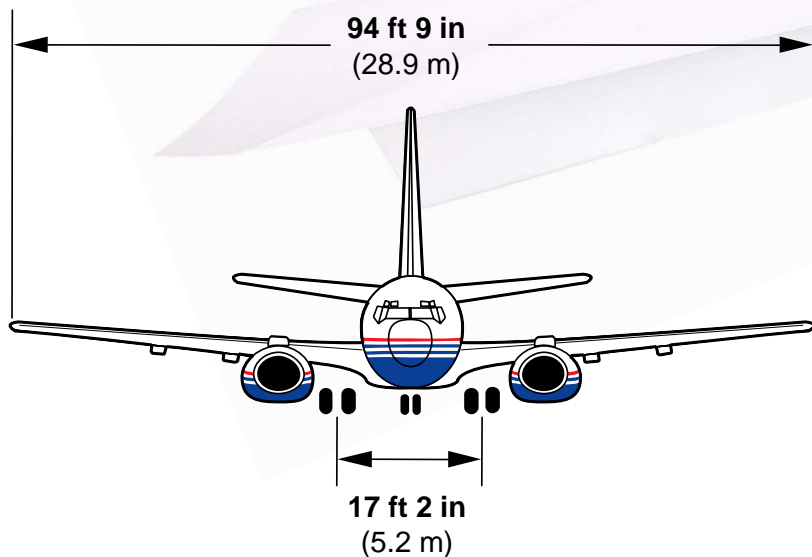
737-400



General Arrangement

StartupBoeing

737-500

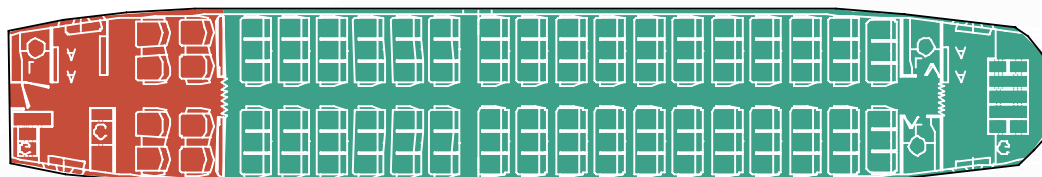


Interior Arrangements

StartupBoeing

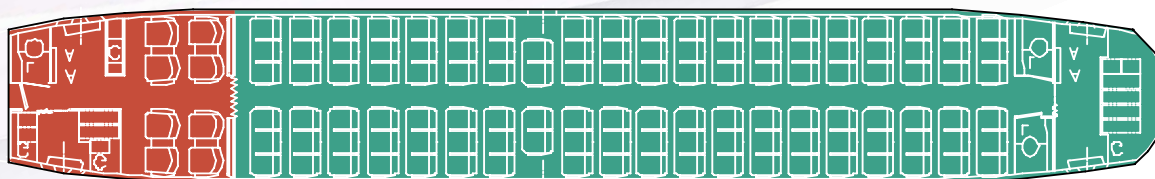
Two-Class

737-500
8 first
102 economy



110 passengers

737-300
8 first
118 economy



126 passengers

737-400
10 first
137 economy



147 passengers

- 36-/32-in pitch

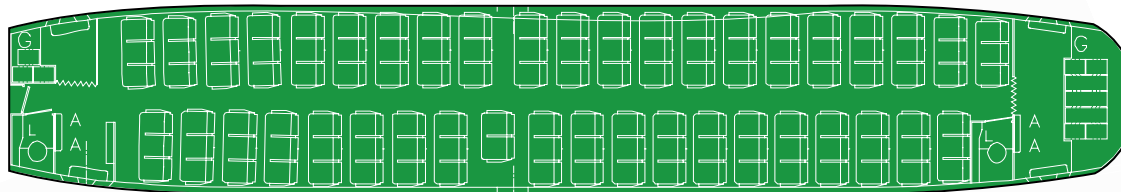
B370078
B370082
B370107

Interior Arrangements

StartupBoeing

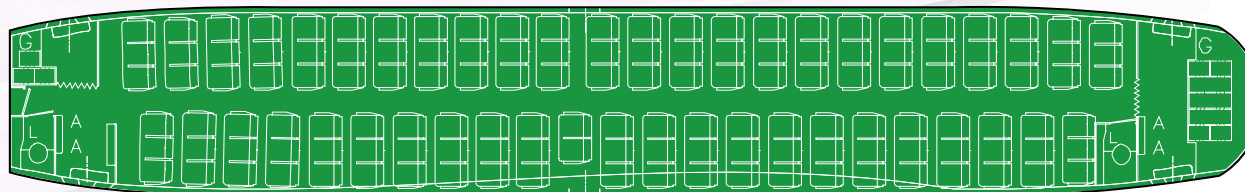
One-Class

737-500



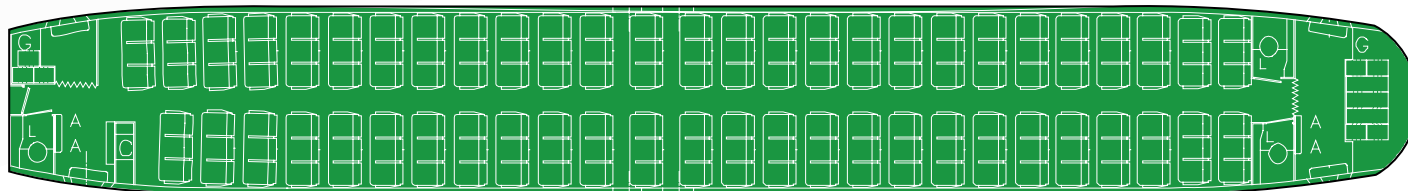
122 passengers

737-300



140 passengers

737-400



159 passengers

- 32-in pitch

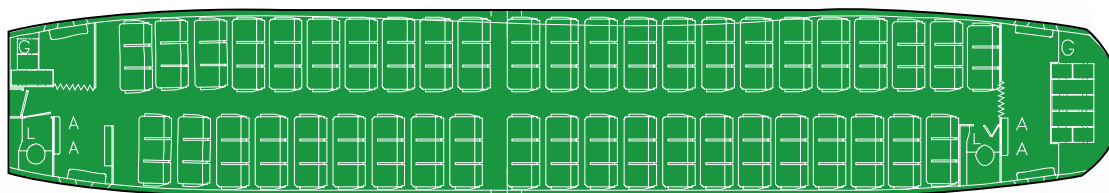
B370130
B370137
B370129

Interior Arrangements

StartupBoeing

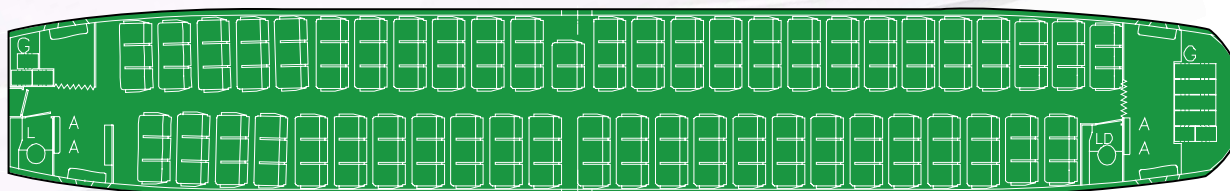
Inclusive Tour

737-500
Exit limits: 145 passengers



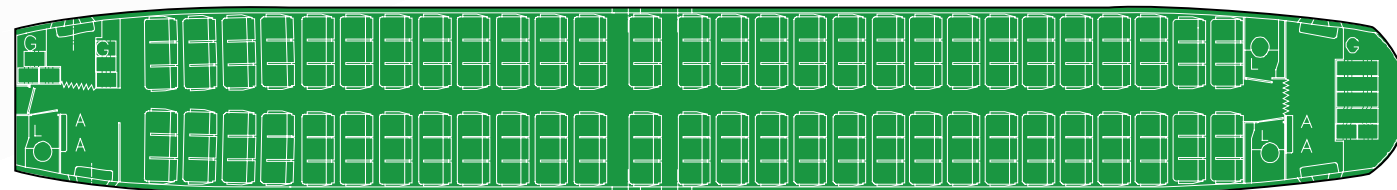
132 passengers

737-300
Exit limits: 149 passengers



149 passengers

737-400
Exit limits: 188 passengers



168 passengers

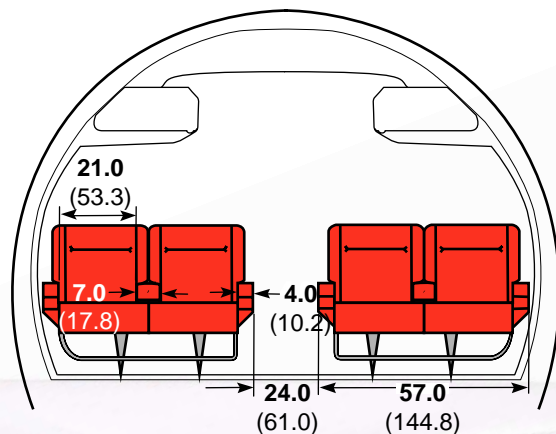
- 30-in pitch

B370131
B370144
B370141

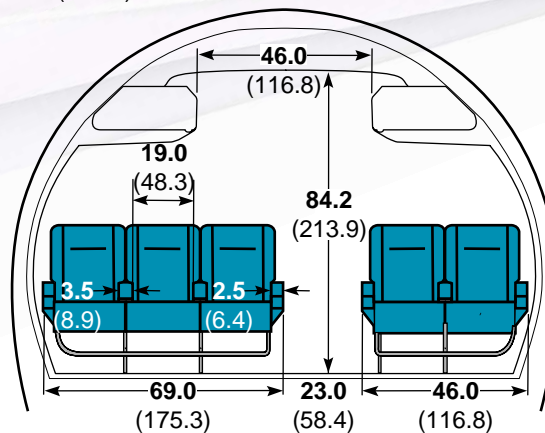
Comfort in Every Class

StartupBoeing

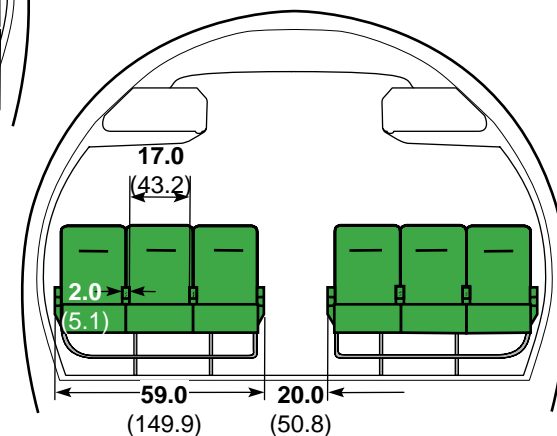
First class



Business class



Economy class



737-300/-400/-500 First-Class Seating

StartupBoeing



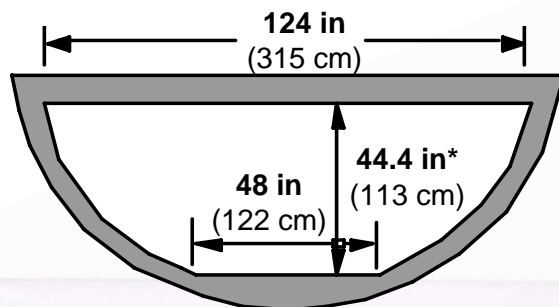
737-300/-400/-500 Economy Seating

StartupBoeing



737 Lower Hold Volume

737-300/-400/-500

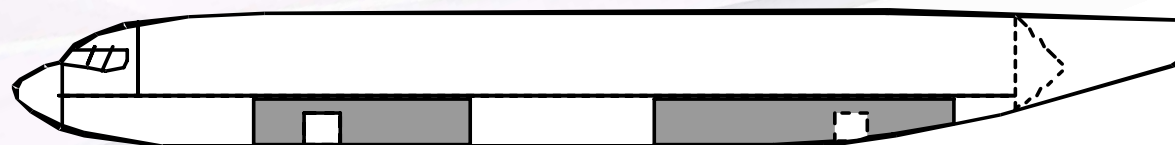


Total volume

737-300 = 1,068 ft³ (30.2 m³)

737-400 = 1,373 ft³ (38.9 m³)

737-500 = 822 ft³ (23.3 m³)



Forward



Door 35 in x 48 in
(89 cm x 122 cm)

737-300 = 425 ft³ (12.0 m³)

737-400 = 607 ft³ (17.2 m³)

737-500 = 287 ft³ (8.1 m³)

Aft



Door 33 in x 48 in
(84 cm x 122 cm)

737-300 = 643 ft³ (18.2 m³)

737-400 = 766 ft³ (21.7 m³)

737-500 = 535 ft³ (15.2 m³)

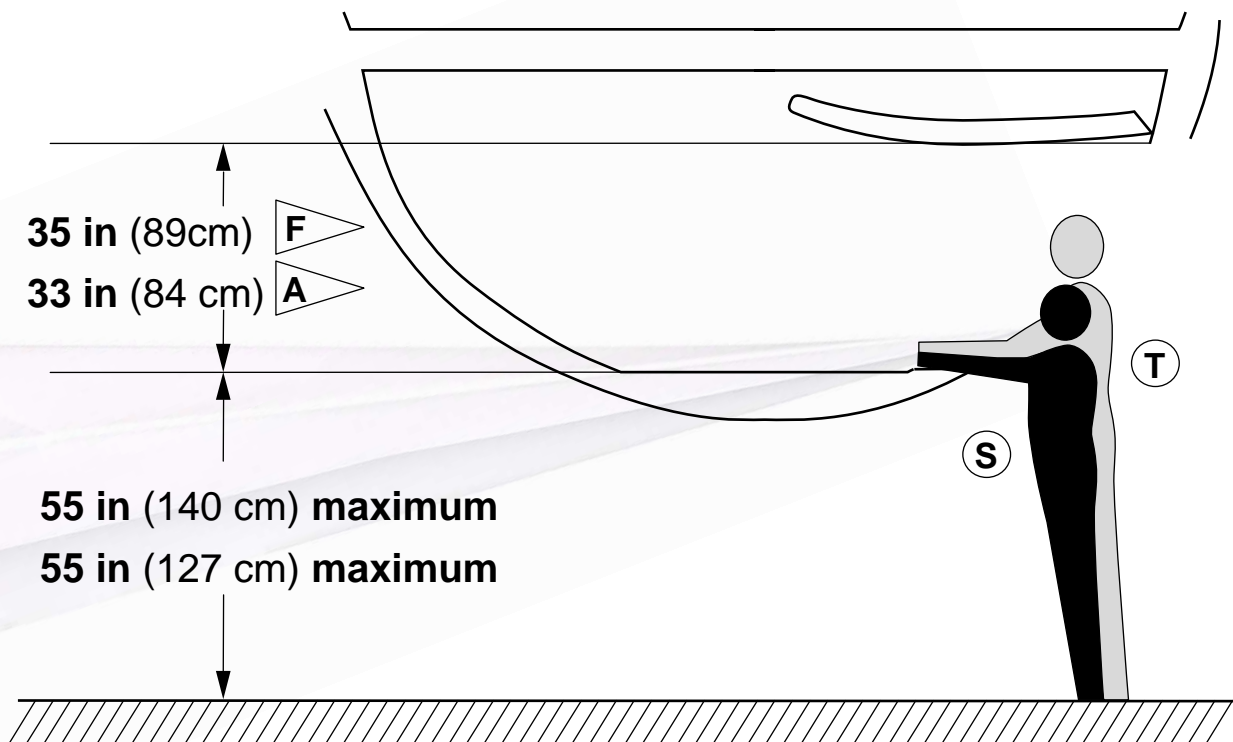
*47.1 in (120 cm) forward end of aft compartment

Cargo Hold Can Be Loaded Easily by Hand

StartupBoeing

737-300/-400/-500

Cargo handling equipment not required



- F** Forward cargo hold
- A** Aft cargo hold
- T** 97.5-percentile man: 6 ft 2 in (188 cm) tall
- S** 2.5-percentile man: 5 ft 3.5 in (161 cm) tall

Performance Summary

StartupBoeing

737-300 Mixed-Class

Interior

			737-300 Basic GW	737-300 HGW
Engines			CFM56-3C-1	CFM56-3C-1
Engine rating/flat rated temp		lb/°F	20,000/86	22,000/86
Passengers		FC/TC	126 (8/118)	126 (8/118)
Cargo volume		ft ³ (m ³)	1,068 (30.2)	1,068 (30.2)
Maximum design	- takeoff	lb (kg)	124,500 (56,470)	138,500 (62,820)
	- landing	lb (kg)	114,000 (57,710)	116,600 (52,880)
	- zero fuel	lb (kg)	105,000 (47,620)	109,600 (49,710)
Operating empty weight		lb (kg)	72,360 (32,820)	72,360 (32,820)
Fuel capacity		U.S. gal (L)	5,311 (20,100)	5,311 (20,100)
Design range		nmi	1,635	2,255*
Cruise Mach number (LRC avg for design range)			0.745	0.745
Takeoff field length (TOFL)	[MTOW, SL., 86°F)	ft (m)	6,500 (1,981)	7,500 (2,286)
Altitude capability—all engines	(ISA + 10°C) [MTOW]	ft	35,700	33,450
Landing field length	[MLW, S.L.]	ft (m)	4,580 (1,396)	4,700 (1,433)
Approach speed	[MLW]	kt	133	135
Block fuel per passenger	- 500 nmi	lb/pass (kg/pass)	56.7 (25.7)	56.6 (25.7)
	- 1,000 nmi	lb/pass (kg/pass)	102.0 (46.3)	102.0 (46.3)

* Fuel volume limited

Performance Summary

StartupBoeing

737-400 Mixed-Class Interior

			737-400 Basic GW	737-400 HGW
Engines			CFM56-3C-1	CFM56-3C-1
Engine rating/flat rated temp		lb/°F	22,000/86	23,500/86
Passengers		FC/TC	147 (10/137)	147 (10/137)
Cargo volume		ft ³ (m ³)	1,373 (38.9)	1,373 (38.9)
Maximum design	- takeoff	lb (kg)	138,500 (62,820)	150,000 (68,040)
	- landing	lb (kg)	121,000 (54,880)	124,000 (56,240)
	- zero fuel	lb (kg)	113,000 (51,250)	117,000 (53,070)
Operating empty weight		lb (kg)	76,180 (34,560)	76,760 (34,820)
Fuel capacity		U.S. gal (L)	5,311 (20,100)	5,311 (20,100)
Design range		nmi	1,907	2,060*
Cruise Mach number (LRC avg for design range)			0.745	0.745
Takeoff field length (TOFL)	[MTOW, SL., 86°F]	ft (m)	7,350 (2,240)	8,690 (2,649)
Altitude capability—all engines	(ISA + 10°C) [MTOW]	ft	33,400	31,700
Landing field length	[MLW, S.L.]	ft (m)	4,880 (1,487)	5,050 (1,539)
Approach speed	[MLW]	kt	137	139
Block fuel per passenger	- 500 nmi	lb/pass (kg/pass)	51.7 (23.5)	56.6 (23.5)
	- 1,000 nmi	lb/pass (kg/pass)	93.7 (42.5)	102.0 (42.7)

* Fuel volume limited

Performance Summary

StartupBoeing

737-500 Mixed-Class Interior

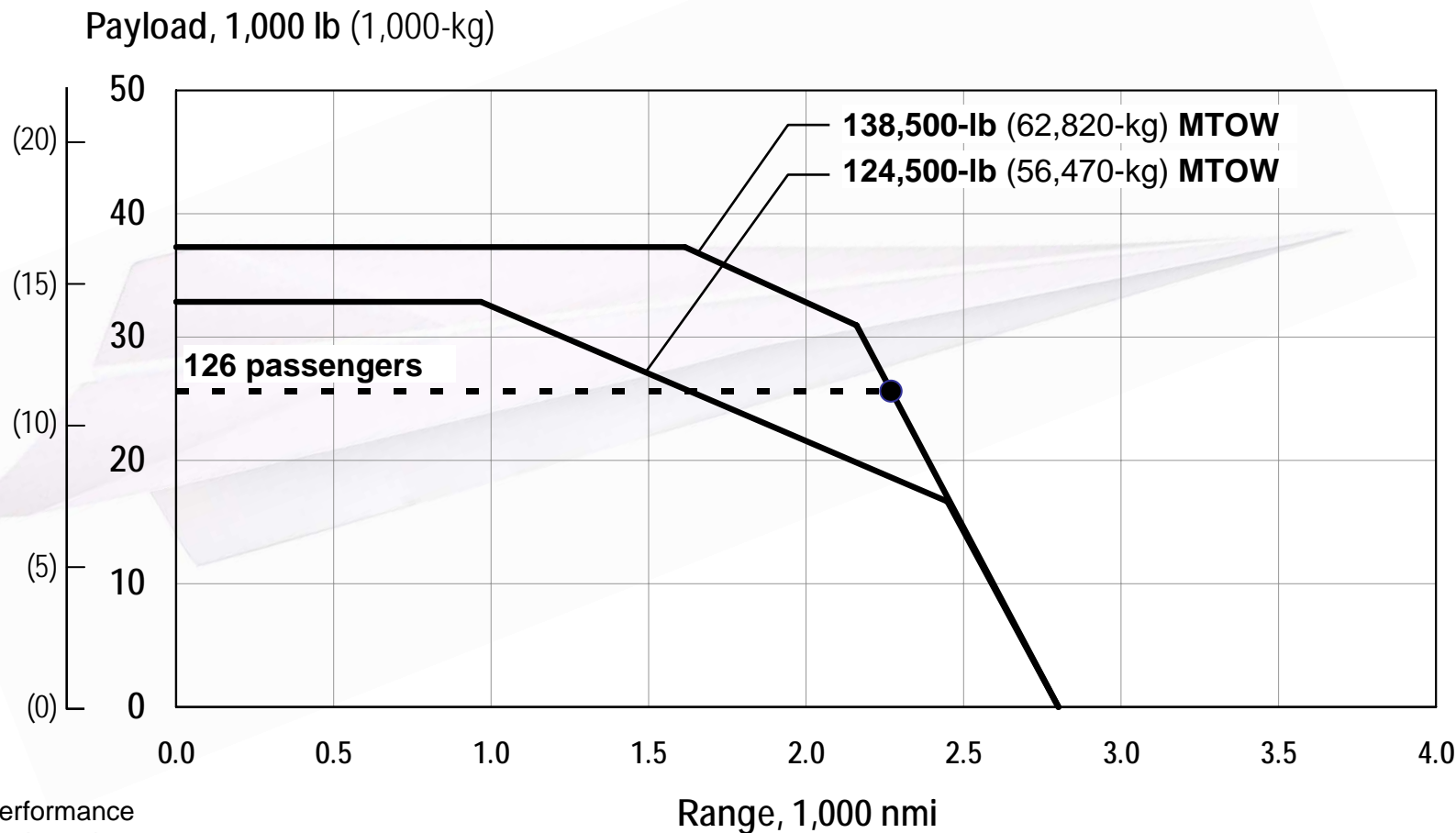
			737-500 Basic GW	737-500 HGW
Engines			CFM56-3C-1	CFM56-3C-1
Engine rating/flat rated temp		lb/°F	18,500/86	20,000/86
Passengers		FC/TC	110 (8/102)	110 (8/102)
Cargo volume		ft ³ (m ³)	822 (23.3)	882 (23.3)
Maximum design	- takeoff	lb (kg)	115,500 (52,390)	133,500 (60,550)
	- landing	lb (kg)	110,000 (49,890)	110,000 (49,890)
	- zero fuel	lb (kg)	102,500 (48,490)	103,000 (46,720)
Operating empty weight		lb (kg)	70,440 (31,950)	70,440 (31,950)
Fuel capacity		U.S. gal (L)	5,311 (20,100)	5,311 (20,100)
Design range		nmi	1,415	2,375*
Cruise Mach number (LRC avg for design range)			0.745	0.745
Takeoff field length (TOFL)	[MTOW, SL., 86°F]	ft (m)	5,880 (1,792)	8,630 (2,630)
Altitude capability—all engines	(ISA + 10°C) [MTOW]	ft	37,000	34,250
Landing field length	[MLW, S.L.]	ft (m)	4,450 (1,356)	4,450 (1,356)
Approach speed	[MLW]	kt	128	128
Block fuel per passenger	- 500 nmi	lb/pass (kg/pass)	62.5 (28.4)	62.5 (28.4)
	- 1,000 nmi	lb/pass (kg/pass)	112.0 (50.8)	112.0 (50.8)

* Fuel volume limited

Payload-Range Capability

StartupBoeing

737-300

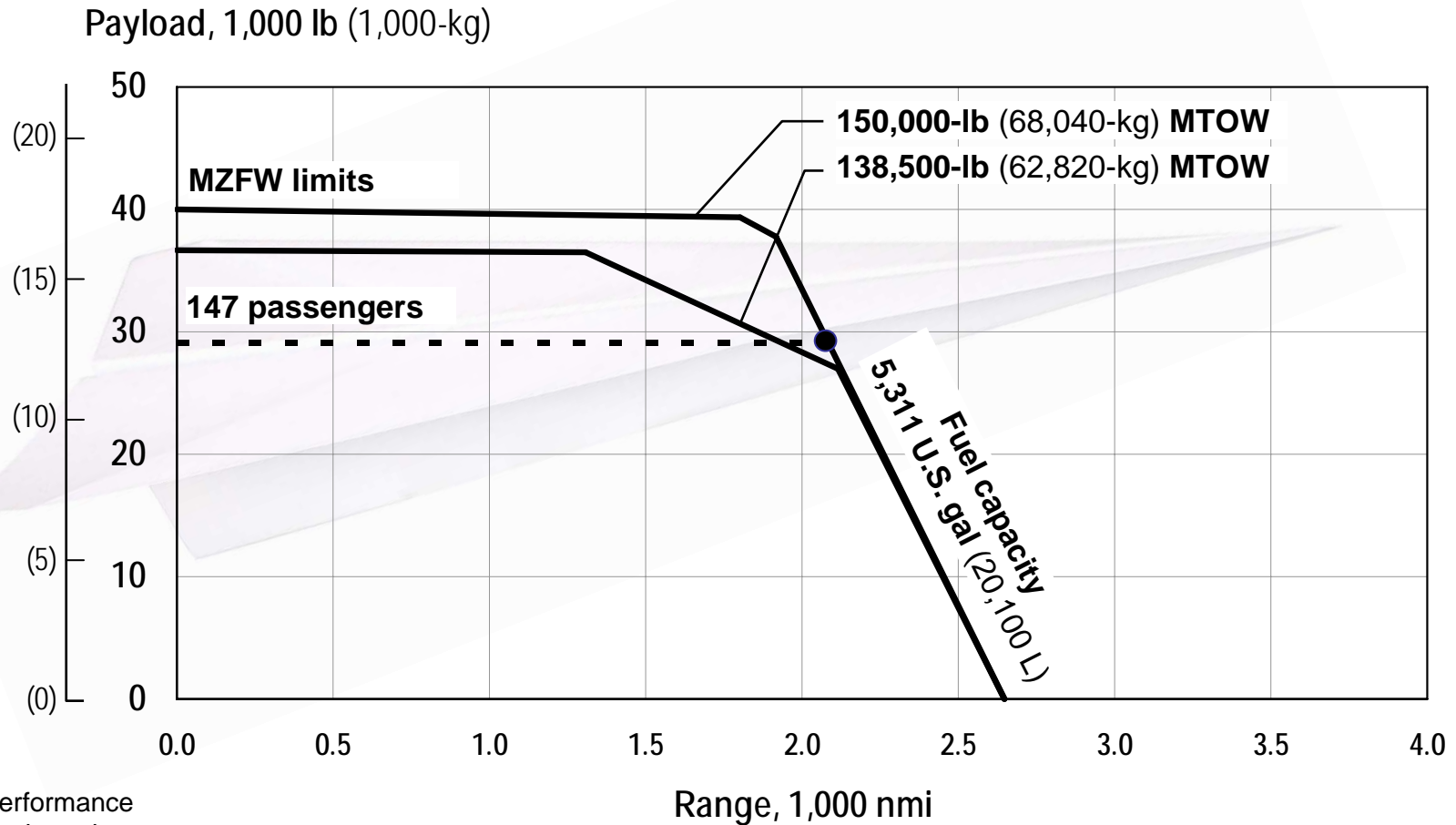


- Nominal performance
- Typical mission rules
- Mixed-class interiors
- 6.70 lb/U.S. gal fuel density
- 200 lb per passenger

Payload-Range Capability

StartupBoeing

737-400

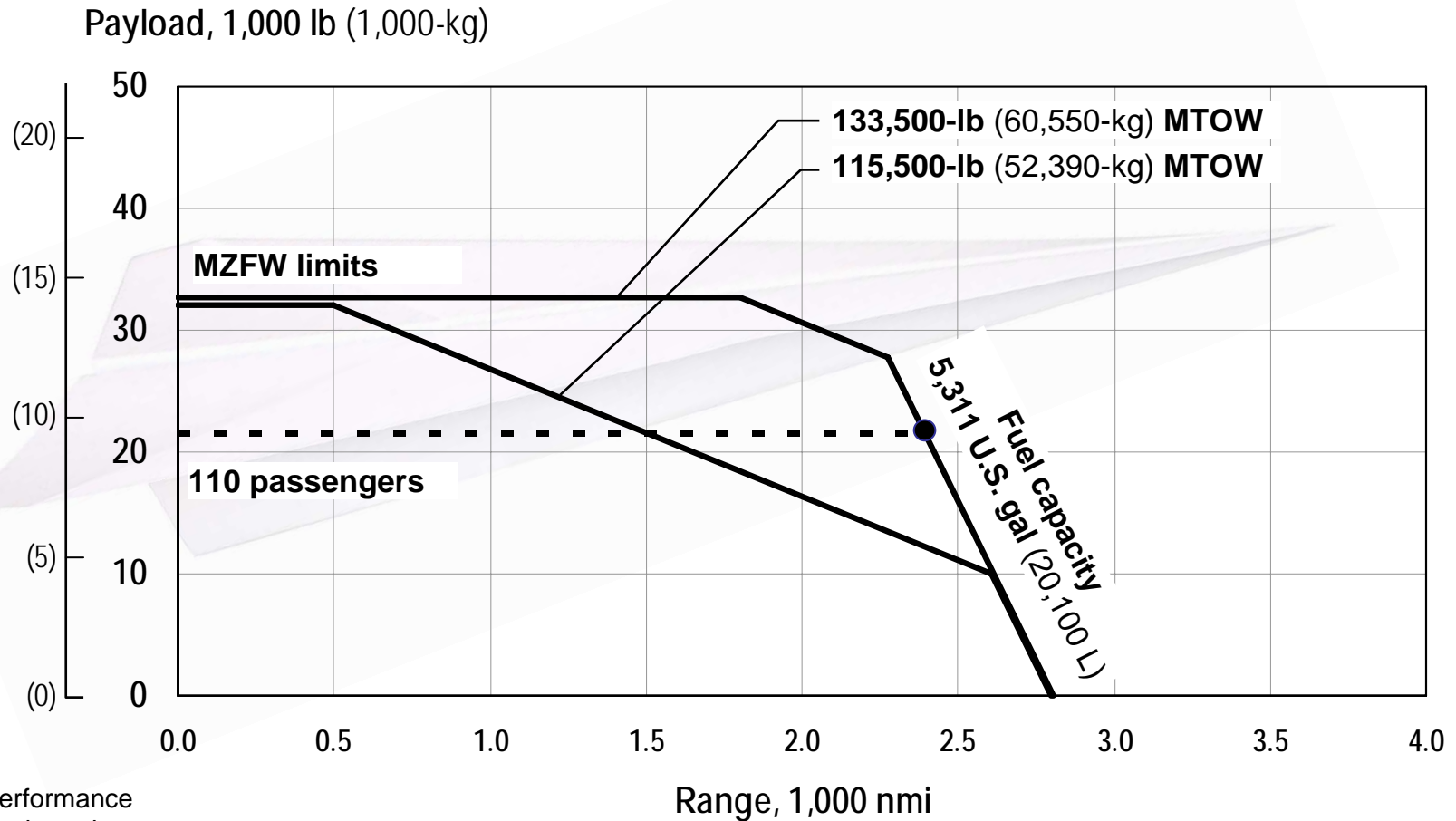


- Nominal performance
- Typical mission rules
- Mixed-class interiors
- 6.70 lb/U.S. gal fuel density
- 200 lb per passenger

Payload-Range Capability

StartupBoeing

737-500

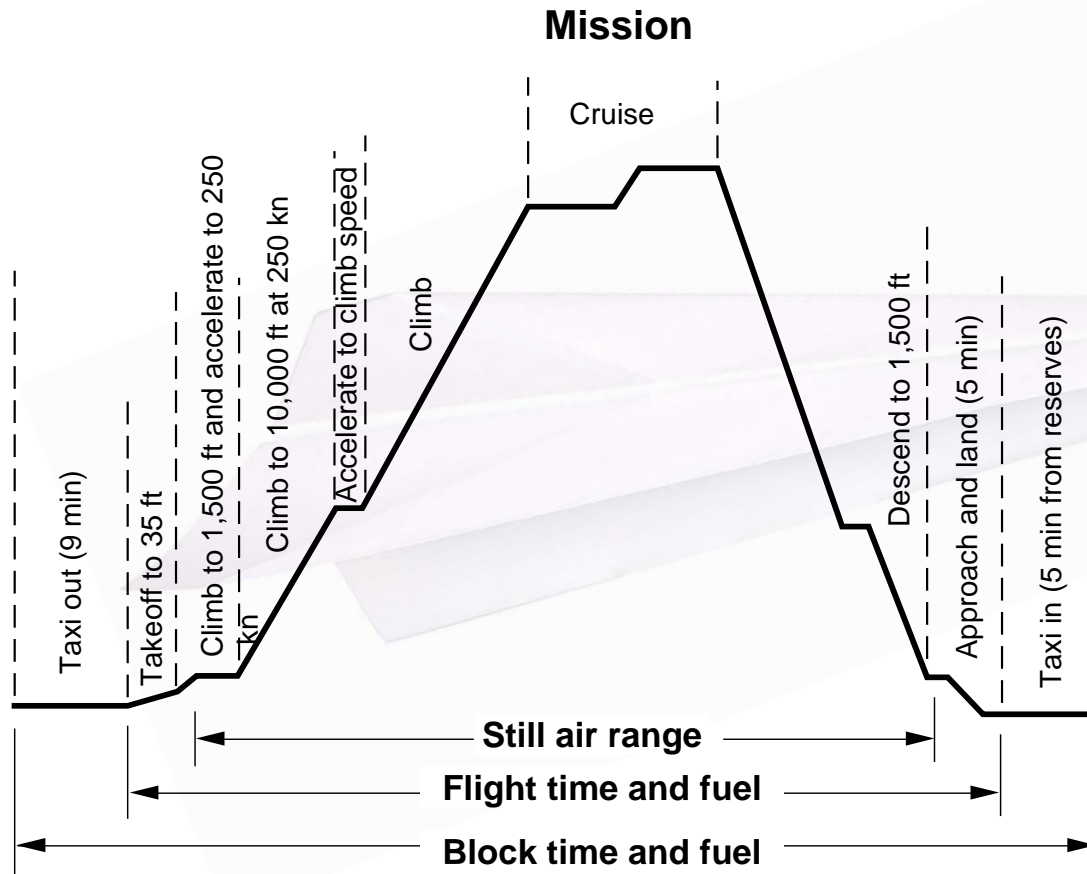


- Nominal performance
- Typical mission rules
- Mixed-class interiors
- 6.70 lb/U.S. gal fuel density
- 200 lb per passenger

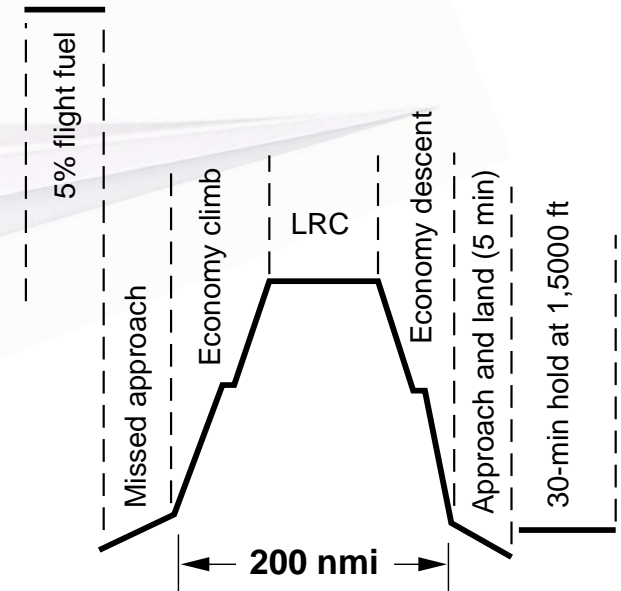
Mission Profile

StartupBoeing

Typical Mission Rules



Reserves



- Standard day
- Fuel density 6.7 lb/U.S. gal
- Cruise at M 0.785
- Nominal performance
- Passengers at 200 lb (89 kg) (passenger + baggage)

Range Capability From Boston

StartupBoeing

737-500

737-500
127,440-lb (57,810-kg) **TOGW***
110 passengers

737-500
115,500-lb (52,390-kg) **MTOW**
110 passengers

- Two-class seating
- Typical mission rules
- 85% annual winds
- Airways and traffic allowance included

* Fuel volume limited



Range Capability From Boston

StartupBoeing

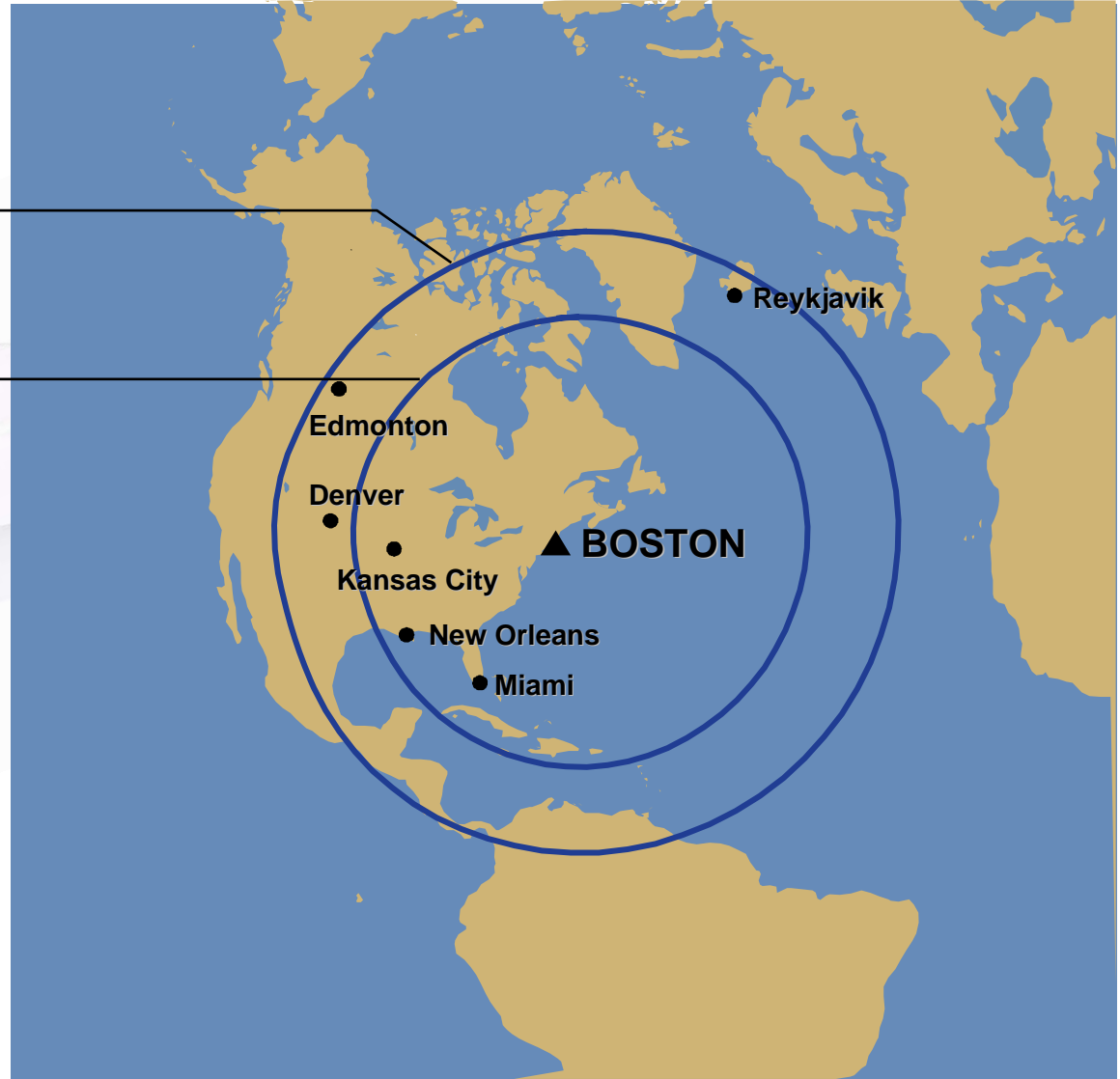
737-300

737-300
133,300-lb (60,465-kg) **TOGW***
126 passengers

737-300
124,500-lb (56,470-kg) **MTOW**
126 passengers

- Two-class seating
- Typical mission rules
- 85% annual winds
- Airways and traffic allowance included

* Fuel volume limited



Range Capability From Boston

StartupBoeing

737-400

737-400
141,100-lb (64,000-kg) **TOGW***
147 passengers

737-400
138,500-lb (62,820-kg) **MTOW**
147 passengers

- Two-class seating
- Typical mission rules
- 85% annual winds
- Airways and traffic allowance included

* Fuel volume limited



Range Capability From Copenhagen

StartupBoeing

737-500

737-500
127,440-lb (57,810-kg) **TOGW***
110 passengers

737-500
115,500-lb (52,390-kg) **MTOW**
110 passengers

- Two-class seating
- Typical mission rules
- 85% annual winds
- Airways and traffic allowance included

* Fuel volume limited



Range Capability From Copenhagen

StartupBoeing

737-300

737-300
133,300-lb (60,465-kg) **TOGW***
126 passengers

737-300
124,500-lb (56,470-kg) **MTOW**
126 passengers

- Two-class seating
- Typical mission rules
- 85% annual winds
- Airways and traffic allowance included

* Fuel volume limited



Range Capability From Copenhagen

StartupBoeing

737-400

737-400
141,100-lb (64,000-kg) **TOGW***
147 passengers

737-400
138,500-lb (62,820-kg) **MTOW**
147 passengers

- Two-class seating
- Typical mission rules
- 85% annual winds
- Airways and traffic allowance included

* Fuel volume limited



Range Capability From Jeddah

StartupBoeing

737-500

737-500
127,440-lb (57,810-kg) **TOGW***
110 passengers

737-500
115,500-lb (52,390-kg) **MTOW**
110 passengers

- Two-class seating
- Typical mission rules
- 85% annual winds
- Airways and traffic allowance included

* Fuel volume limited



Range Capability From Jeddah

StartupBoeing

737-300

737-300
133,300-lb (60,465-kg) **TOGW***
126 passengers

737-300
124,500-lb (56,470-kg) **MTOW**
126 passengers

- Two-class seating
- Typical mission rules
- 85% annual winds
- Airways and traffic allowance included

* Fuel volume limited



Range Capability From Jeddah

StartupBoeing

737-400

737-400
141,100-lb (64,000-kg) **TOGW***
147 passengers

737-400
138,500-lb (62,820-kg) **MTOW**
147 passengers

- Two-class seating
- Typical mission rules
- 85% annual winds
- Airways and traffic allowance included

* Fuel volume limited



Range Capability From Singapore

StartupBoeing

737-500

737-500
127,440-lb (57,810-kg) **TOGW***
110 passengers

737-500
115,500-lb (52,390-kg) **MTOW**
110 passengers

- Two-class seating
- Typical mission rules
- 85% annual winds
- Airways and traffic allowance included

* Fuel volume limited



Range Capability From Singapore

StartupBoeing

737-300

737-300
133,300-lb (60,465-kg) **TOGW***
126 passengers

737-300
124,500-lb (56,470-kg) **MTOW**
126 passengers

- Two-class seating
- Typical mission rules
- 85% annual winds
- Airways and traffic allowance included

* Fuel volume limited



Range Capability From Singapore

StartupBoeing

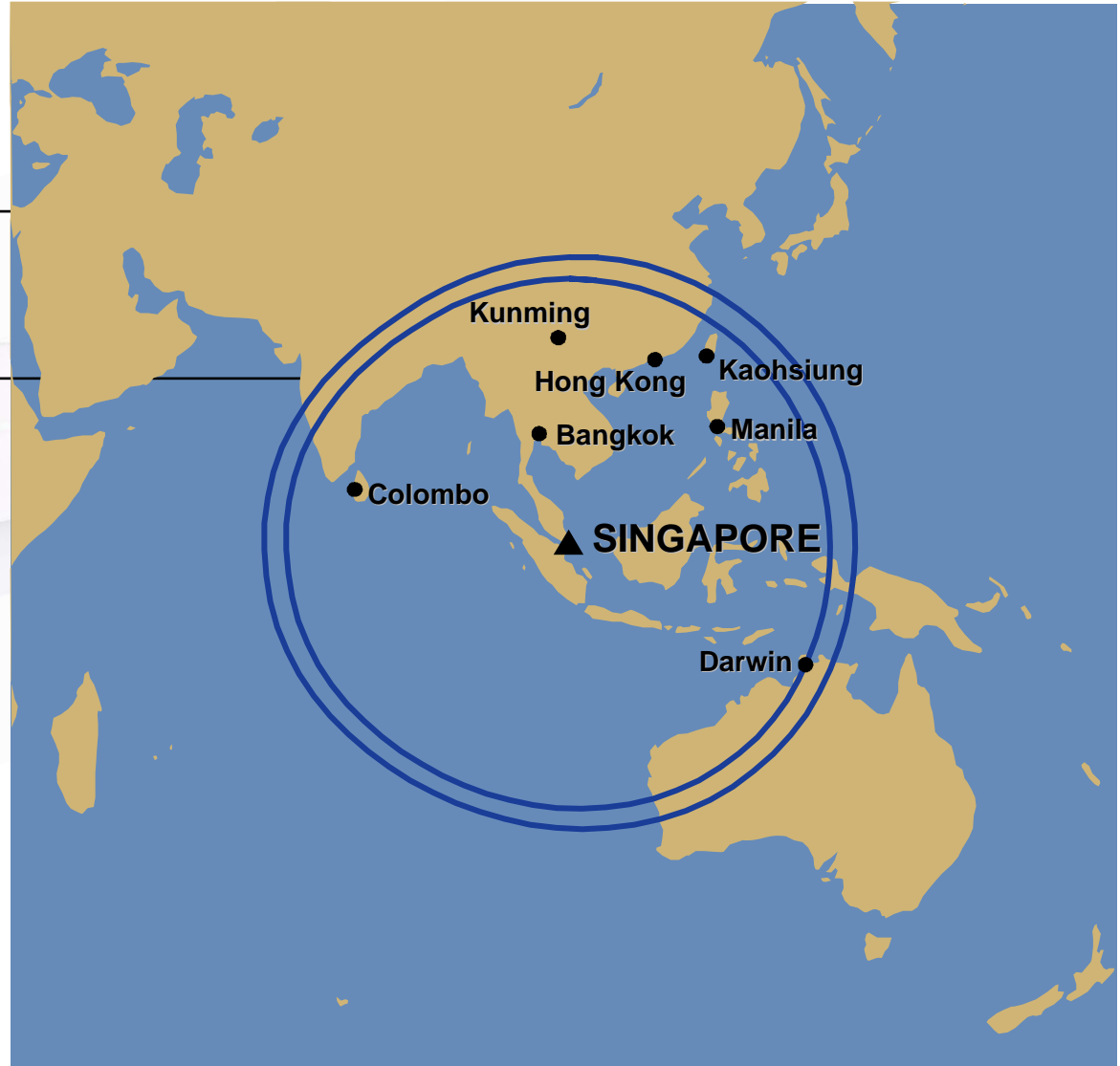
737-400

737-400
141,100-lb (64,000-kg) **TOGW***
147 passengers

737-400
138,500-lb (62,820-kg) **MTOW**
147 passengers

- Two-class seating
- Typical mission rules
- 85% annual winds
- Airways and traffic allowance included

* Fuel volume limited



Range Capability From Sydney

StartupBoeing

737-500

737-500
127,440-lb (57,810-kg) **TOGW***
110 passengers

737-500
115,500-lb (52,390-kg) **MTOW**
110 passengers

- Two-class seating
- Typical mission rules
- 85% annual winds
- Airways and traffic allowance included

* Fuel volume limited



Range Capability From Sydney

StartupBoeing

737-300

737-300
133,300-lb (60,465-kg) **TOGW***
126 passengers

737-300
124,500-lb (56,470-kg) **MTOW**
126 passengers

- Two-class seating
- Typical mission rules
- 85% annual winds
- Airways and traffic allowance included

* Fuel volume limited



Range Capability From Sydney

StartupBoeing

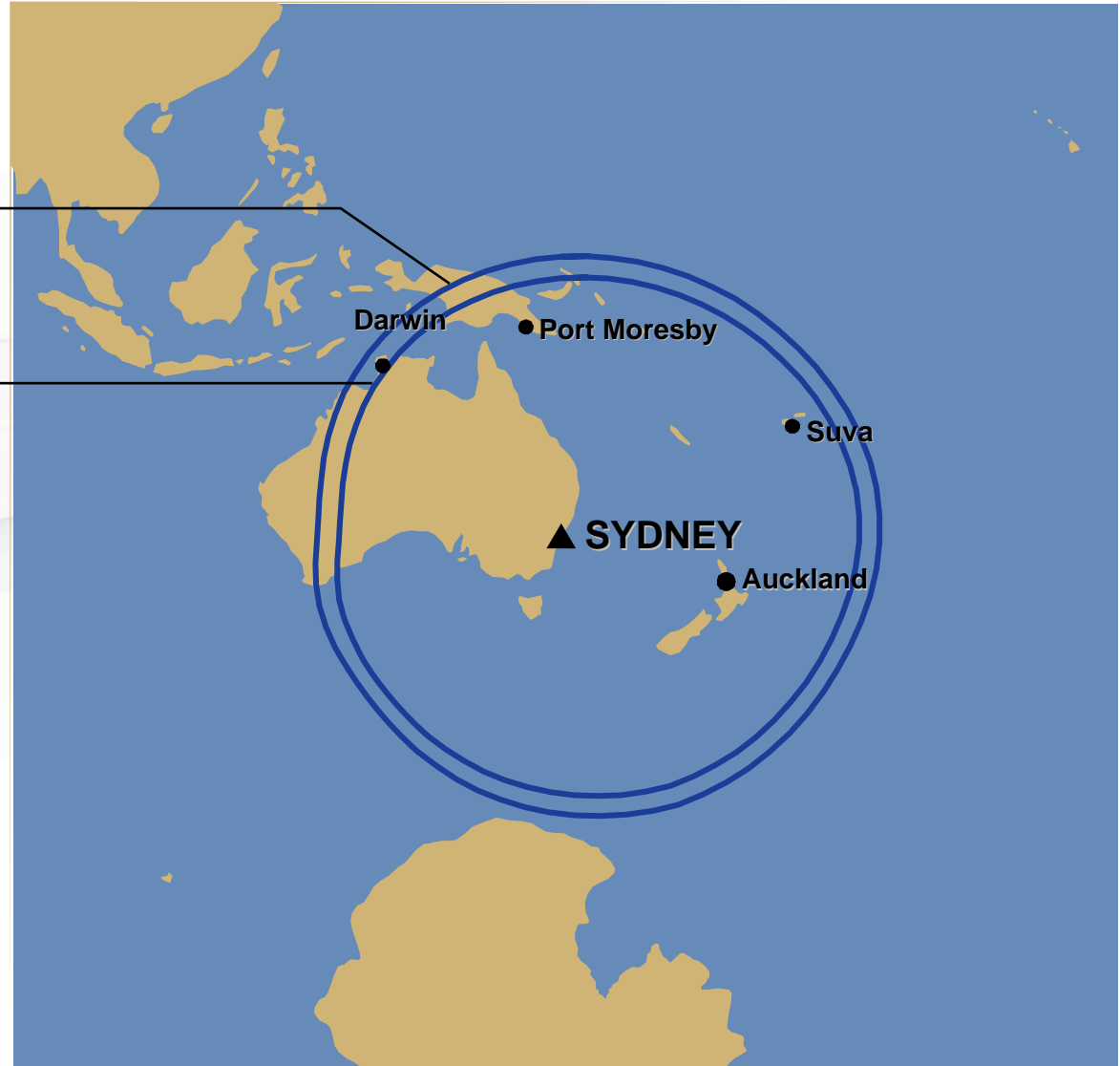
737-400

737-400
141,100-lb (64,000-kg) **TOGW***
147 passengers

737-400
138,500-lb (62,820-kg) **MTOW**
147 passengers

- Two-class seating
- Typical mission rules
- 85% annual winds
- Airways and traffic allowance included

* Fuel volume limited



Range Capability From Denver

StartupBoeing

737-500

737-500
127,440-lb (57,810-kg) **TOGW***
110 passengers

737-500
115,500-lb (52,390-kg) **MTOW**
110 passengers

- Two-class seating
- Typical mission rules
- 85% annual winds
- Airways and traffic allowance included

* Fuel volume limited



Range Capability From Denver

StartupBoeing

737-300

737-300
133,300-lb (60,465-kg) **TOGW***
126 passengers

737-300
124,500-lb (56,470-kg) **MTOW**
126 passengers

- Two-class seating
- Typical mission rules
- 85% annual winds
- Airways and traffic allowance included

* Fuel volume limited



Range Capability From Denver

StartupBoeing

737-400

737-400
141,100-lb (64,000-kg) **TOGW***
147 passengers

737-400
138,500-lb (62,820-kg) **MTOW**
147 passengers

- Two-class seating
- Typical mission rules
- 85% annual winds
- Airways and traffic allowance included

* Fuel volume limited



Range Capability From Chicago/Midway

StartupBoeing

737-500

737-500
127,440-lb (57,810-kg) **TOGW***
110 passengers

737-500
115,500-lb (52,390-kg) **MTOW**
110 passengers

- Two-class seating
- Typical mission rules
- 85% annual winds
- Airways and traffic allowance included

* Fuel volume limited



Range Capability From Chicago/Midway

StartupBoeing

737-300

737-300
133,300-lb (60,465-kg) **TOGW***
126 passengers

737-300
124,500-lb (56,470-kg) **MTOW**
126 passengers

- Two-class seating
- Typical mission rules
- 85% annual winds
- Airways and traffic allowance included

* Fuel volume limited



Range Capability From Chicago/Midway

StartupBoeing

737-400

737-400
141,100-lb (64,000-kg) **TOGW***
147 passengers

737-400
138,500-lb (62,820-kg) **MTOW**
147 passengers

- Two-class seating
- Typical mission rules
- 85% annual winds
- Airways and traffic allowance included

* Fuel volume limited



737-300/-400/-500 Flight Deck

StartupBoeing

